

歐品電子(昆山)有限公司

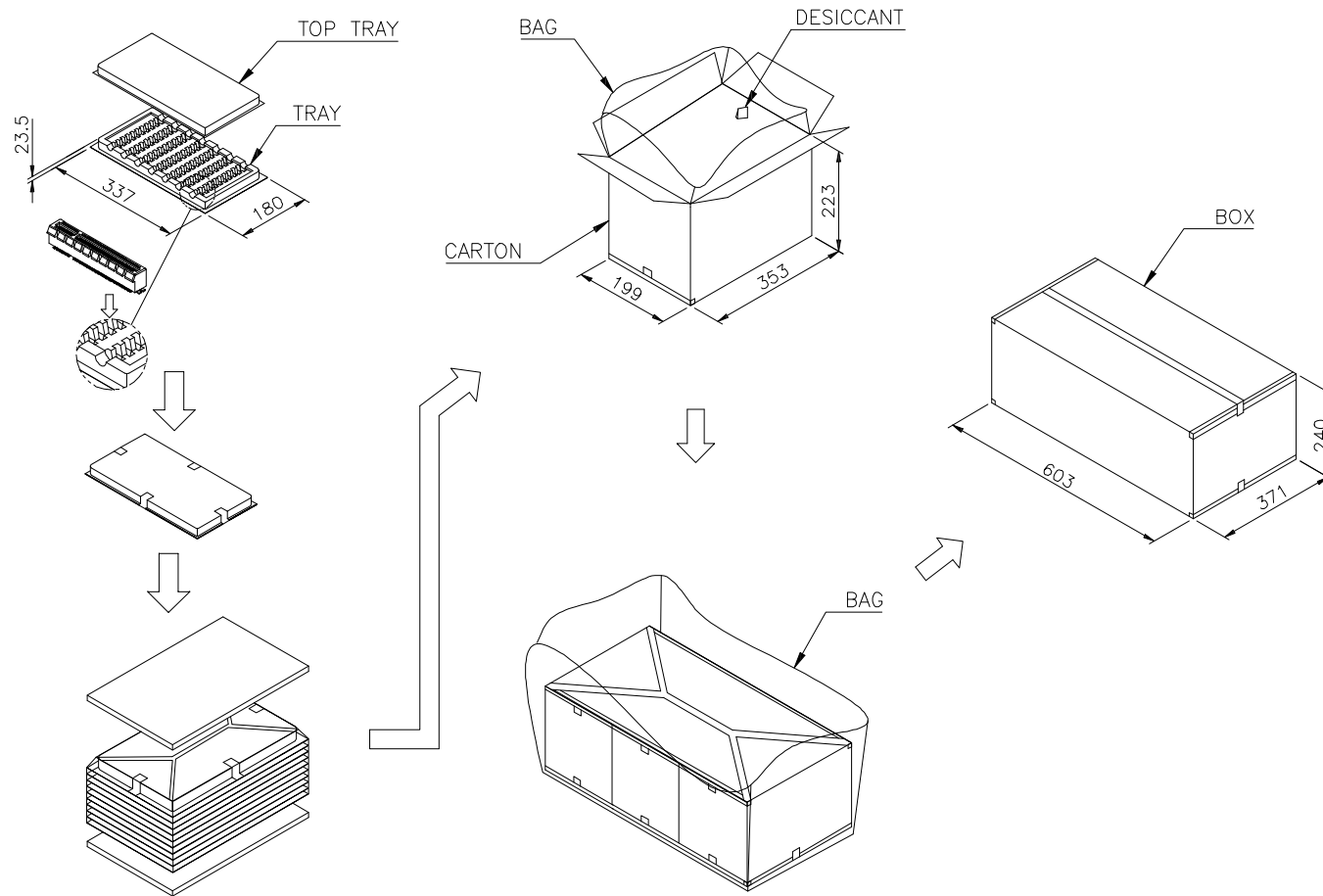
OUPIIN ELECTRONIC(KUNSHAN) CO.,LTD.

PACKAGING SPECIFICATION (包裝作業規範)

| | | | | | | |
|----------------|---------|---------------------------|------|-----|------|------|
| SPEC.NO.(規範編號) | 8406SPP | 適用產品: 8406-CxxCxxDPA-x-G4 | PAGE | 1/1 | REV. | I716 |
|----------------|---------|---------------------------|------|-----|------|------|

PACKING OPERATION DIAGRAM & INSTRUCTION (包裝作業圖示及說明)

REMARK (備註)



| | | | | | | |
|--------------|------------|----------|-------------|------------|---------|------|
| 12.0 Kg | 8.0 Kg | 30 | 10 | 3 | 900 | 164 |
| 11.0 Kg | 7.0 Kg | 40 | 10 | 3 | 1200 | 98 |
| 11.2 Kg | 7.2 Kg | 60 | 10 | 3 | 1800 | 64 |
| 9.8 Kg | 5.8 Kg | 70 | 10 | 3 | 2100 | 36 |
| GROSS WEIGHT | NET WEIGHT | PCS/TRAY | TRAY/CARTON | CARTON/BOX | PCS/BOX | POS. |

Drawn By: Martin 08/09'23