

歐品電子(昆山)有限公司

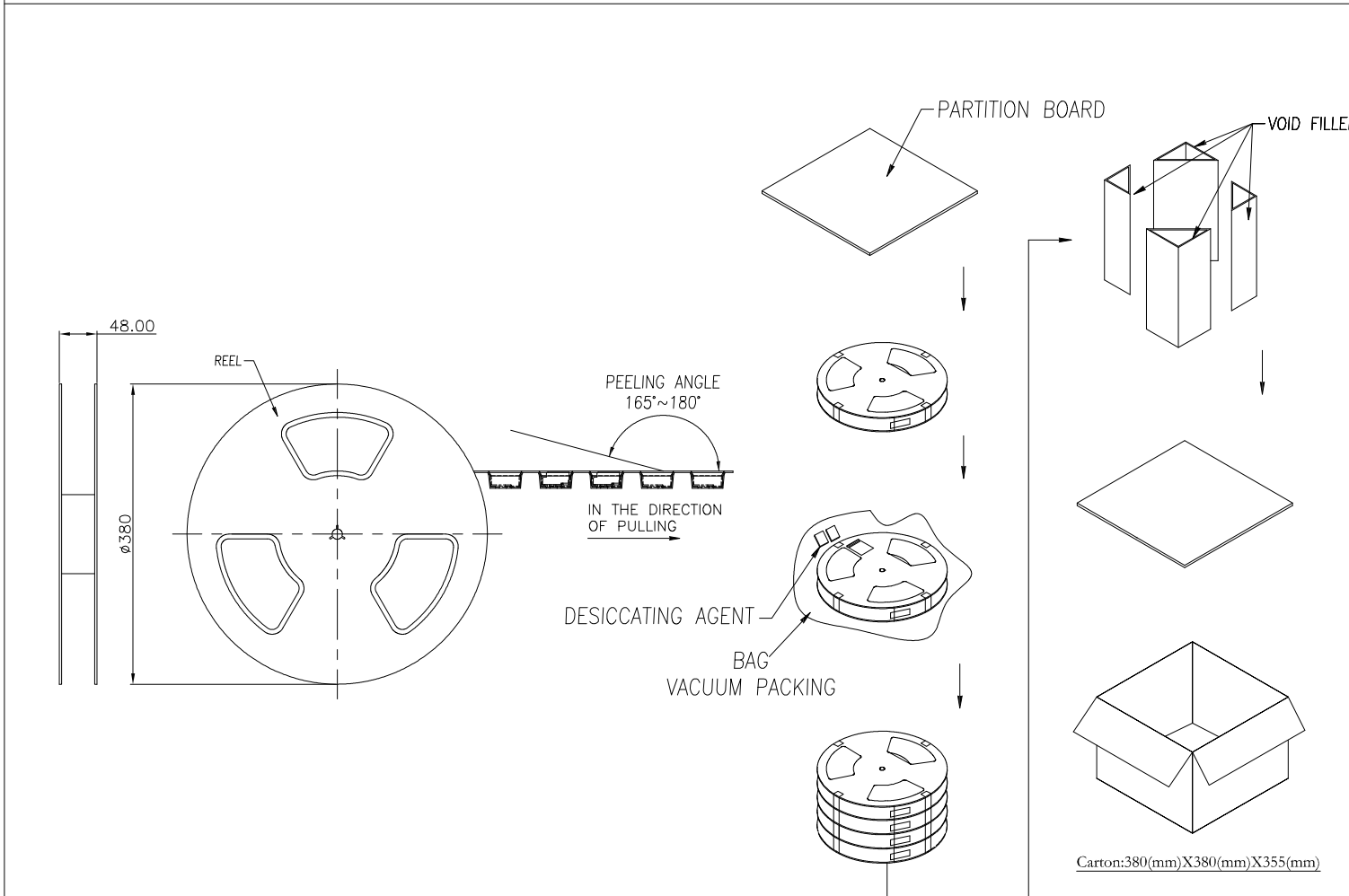
OUPIIN ELECTRONIC(KUNSHAN) CO.,LTD.

PACKAGING SPECIFICATION (包裝作業規範)

SPEC.NO.(規範編號)	8402SPP	適用產品: 8402-C67Gxxx5T-G4	PAGE	1/2	REV.	I716
----------------	---------	-------------------------	------	-----	------	------

PACKING OPERATION DIAGRAM & INSTRUCTION (包裝作業圖示及說明)

REMARK (備註)



Packing:
 750 Pcs/ Reel
 6 Reel/ Carton
 4500 Pcs/ Carton
 N.W: 3.53 kg / Carton
 G.W: 8.33 kg / Carton

Drawn By: Martin 08/31'23

歐品電子(昆山)有限公司

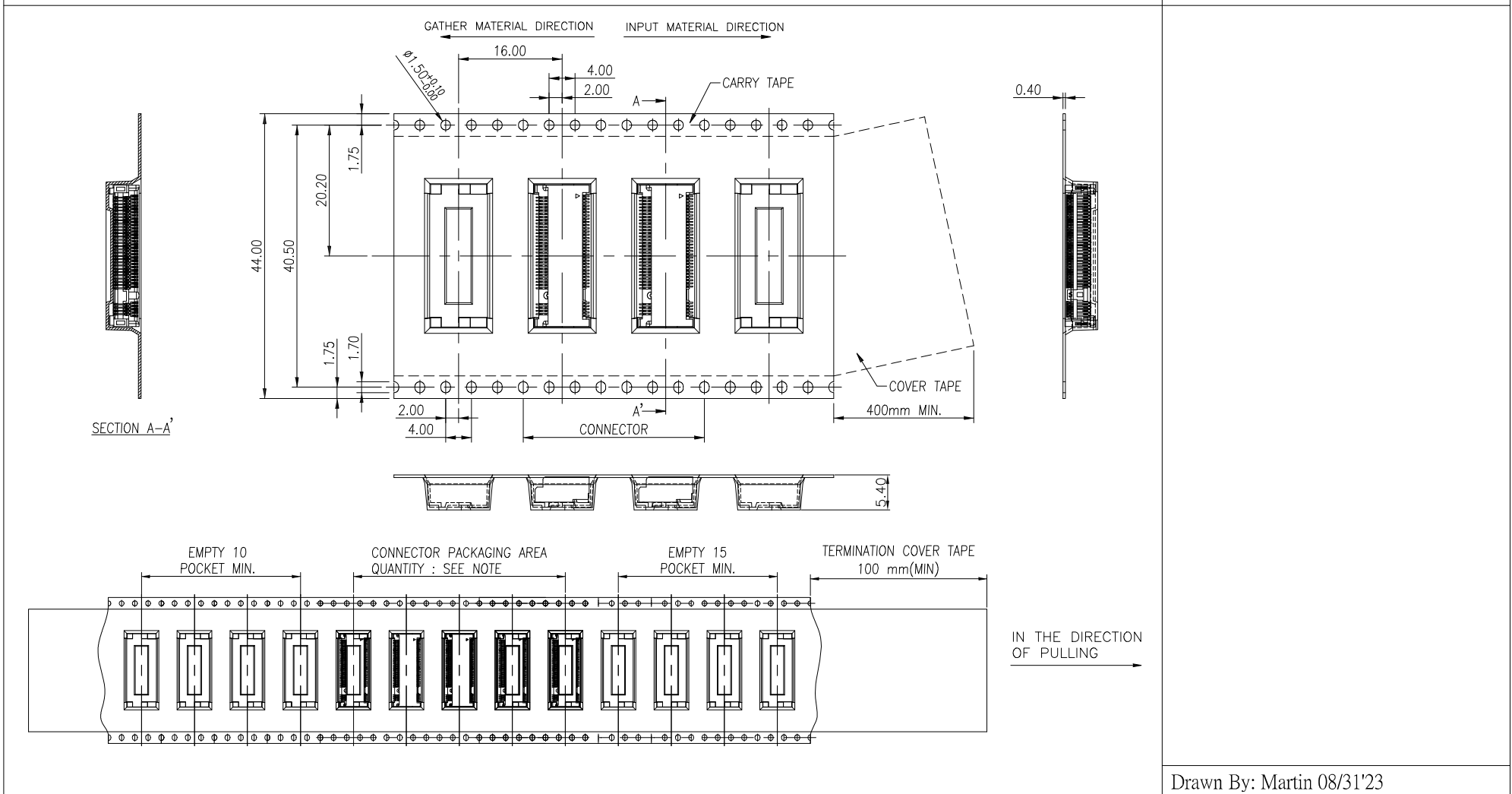
OUPIIN ELECTRONIC(KUNSHAN) CO.,LTD.

PACKAGING SPECIFICATION (包裝作業規範)

SPEC.NO.(規範編號)	8402SPP	適用產品: 8402-C67Gxxx5T-G4	PAGE	2/2	REV.	I716
----------------	---------	-------------------------	------	-----	------	------

PACKING OPERATION DIAGRAM & INSTRUCTION (包裝作業圖示及說明)

REMARK (備註)



Drawn By: Martin 08/31'23