

歐品電子(昆山)有限公司

OUPIIN ELECTRONIC(KUNSHAN) CO.,LTD.

PACKAGING SPECIFICATION (包裝作業規範)

SPEC.NO.(規範編號)	8406SPP	適用產品: 8406-CxxCxxR(-2.3)A	PAGE	1/1	REV.	I716
----------------	---------	---------------------------	------	-----	------	------

PACKING OPERATION DIAGRAM & INSTRUCTION (包裝作業圖示及說明)

REMARK (備註)

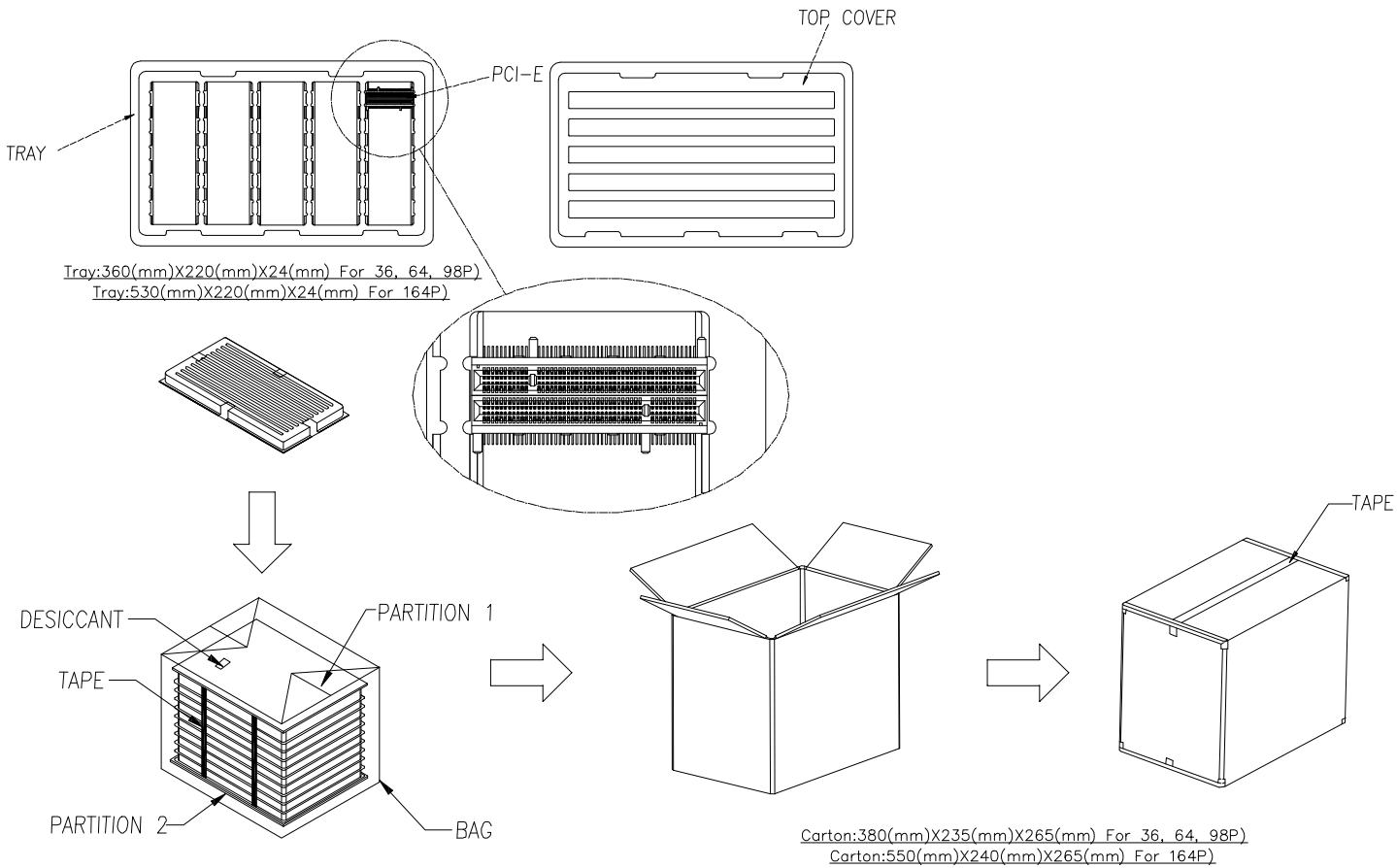


TABLE				
	36P	64P	98P	164P
Tray	100 Pcs	50 Pcs	50 Pcs	50 Pcs
Carton	1000 Pcs	500 Pcs	500 Pcs	500 Pcs
Net Weight	5.2 Kg	3.75 Kg	5.0 Kg	7.5 Kg
Gross Weight	6.7 Kg	5.25 Kg	6.5 Kg	10.0 Kg

Drawn By: Martin 08/14'23