

# 歐品電子(昆山)有限公司

OUPIIN ELECTRONIC(KUNSHAN) CO.,LTD.

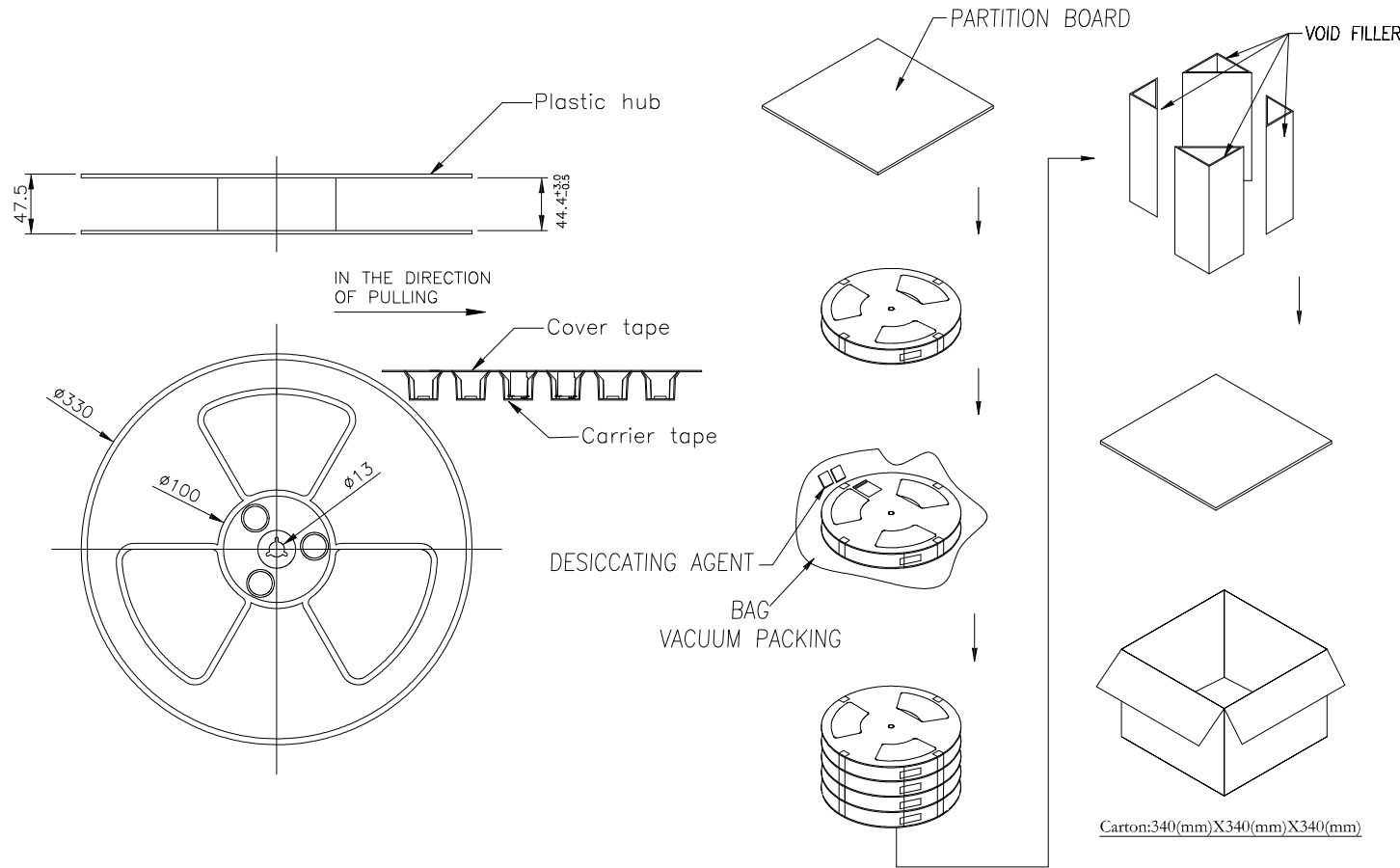
## PACKAGING SPECIFICATION (包裝作業規範)

SPEC.NO.(規範編號)	8402SPP	適用產品: 8402-C67Gxxx7T-G4	PAGE	1/2	REV.	I716
----------------	---------	-------------------------	------	-----	------	------

### PACKING OPERATION DIAGRAM & INSTRUCTION (包裝作業圖示及說明)

### REMARK (備註)

**Packing:**  
 350 Pcs/ Reel  
 6 Reel/ Carton  
 2100 Pcs/ Carton



Drawn By: Martin 08/31'23

# 歐品電子(昆山)有限公司

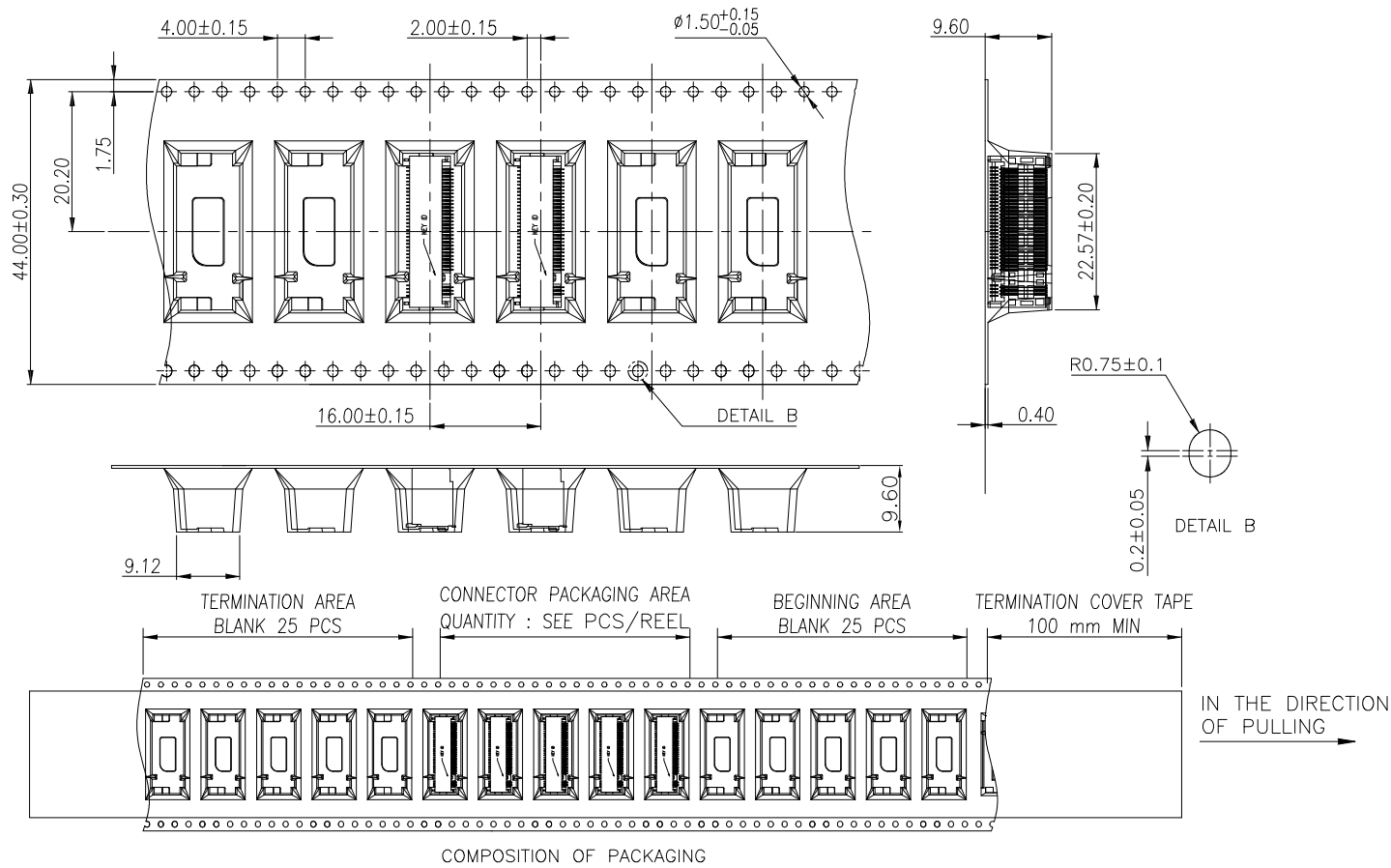
OUPIIN ELECTRONIC(KUNSHAN) CO.,LTD.

## PACKAGING SPECIFICATION (包裝作業規範)

SPEC.NO.(規範編號)	8402SPP	適用產品: 8402-C67Gxxx7T-G4	PAGE	2/2	REV.	I716
----------------	---------	-------------------------	------	-----	------	------

### PACKING OPERATION DIAGRAM & INSTRUCTION (包裝作業圖示及說明)

REMARK (備註)



Drawn By: Martin 08/31'23