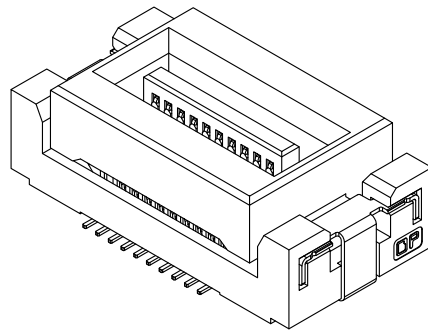
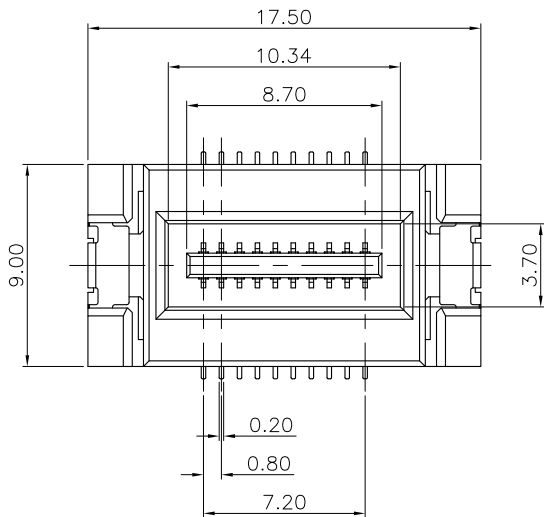


REV.	SPECIFICATION	ECN NO.	APPD.
X2			



Material and Plating:

Housing: LCP, UL94V-0 , BLACK.

Signal Contacts: Phosphor Bronze

Gold plated on Contact Area and 80u" Min Tin Plated on Solder Tail over nickel 50u" Min .

Lock: Brass

80u" Min Tin Plated over nickel 50u" Min .

Electrical Characteristics:

Current Rating: 0.5A

Dielectric Withstanding Voltage:

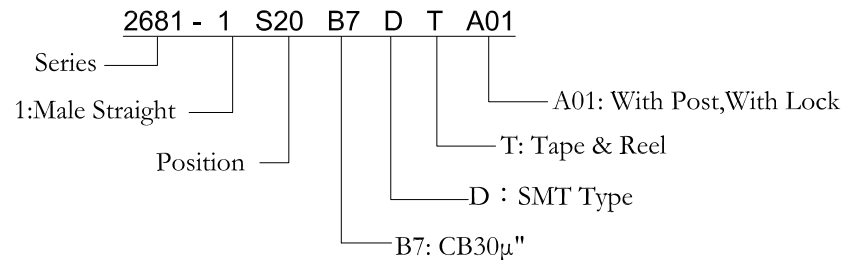
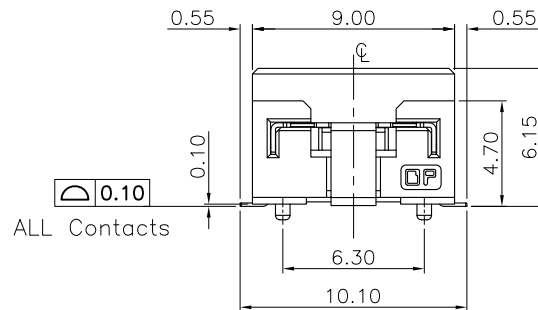
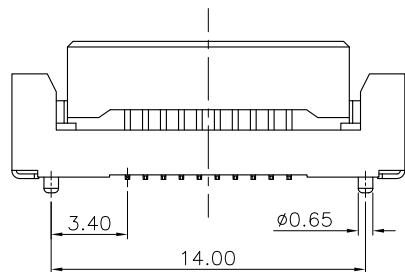
AC 250V For 1 minute.

Insulator Resistance: 500MΩ min. at DC 250V.

Contact Resistance: 80mΩ max. at DC 20mA.

Operating Temperature: -40°C~+105°C.

***RoHS Compliant**

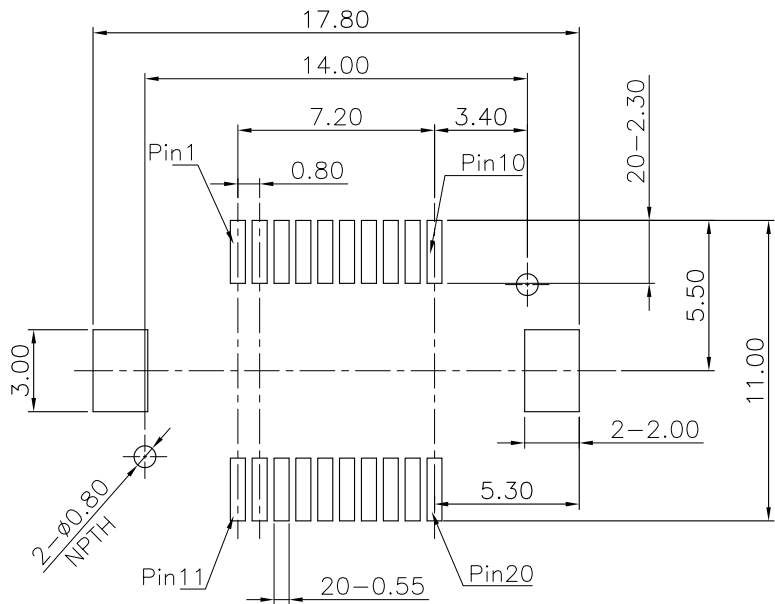


Tolerances	Dwg. No.	2681-DS20-001
x = ±0.50	Projection	
.x = ±0.25	Unit	mm
.xx = ±0.15	Scale	1:1
	Drawn By	SXH 03/12'24

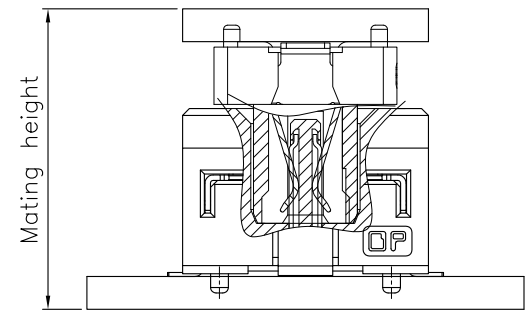
Title:
2681 Series
Floating B TO B Male Connector
0.8mm Pitch SMD Type

OUPIIN ELECTRONIC(KUNSHAN) CO., LTD.			
P/N: 2681-1S20B7DTA01			
SHEET	1/2	Ver.No.	X2

REV.	SPECIFICATION	ECN NO.	APPD.
X2			


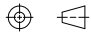


P.C. Board Layout (TOP View)
(Tolerance ± 0.05)



Connector Mating

$\begin{matrix} Y \otimes \\ \downarrow X \\ \rightarrow Z \end{matrix}$
 Floating Range toward
 X direction: $\pm 0.3\text{mm}$
 Y direction: $\pm 0.5\text{mm}$
 Z direction: $\pm 0.5\text{mm}$

Tolerances	Dwg. No.	2681-DS20-001	Title:		 OUPIIN ELECTRONIC(KUNSHAN) CO., LTD.
x = ± 0.50 .x = ± 0.25 .xx = ± 0.15	Projection		2681 Series Floating B TO B Connector 0.8mm Pitch SMD Type		
	Unit	mm	Scale	1:1	SHEET 2/2
	Drawn By	SXH 03/12'24			Ver.No. X2