

# 歐品電子(昆山)有限公司

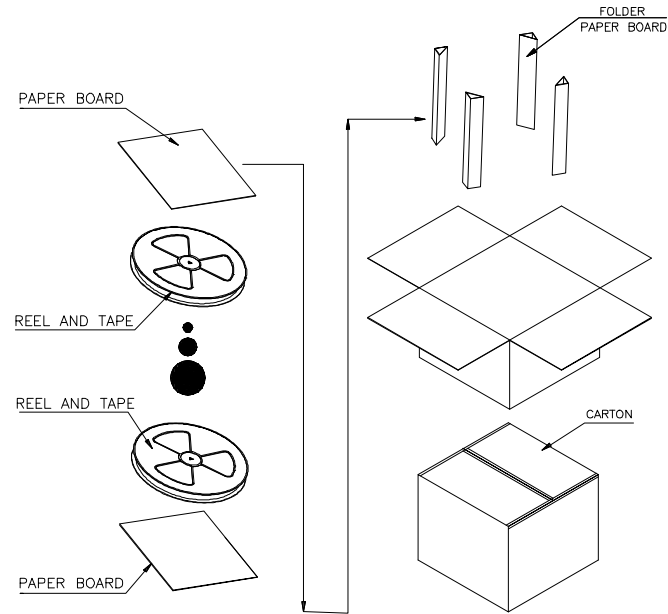
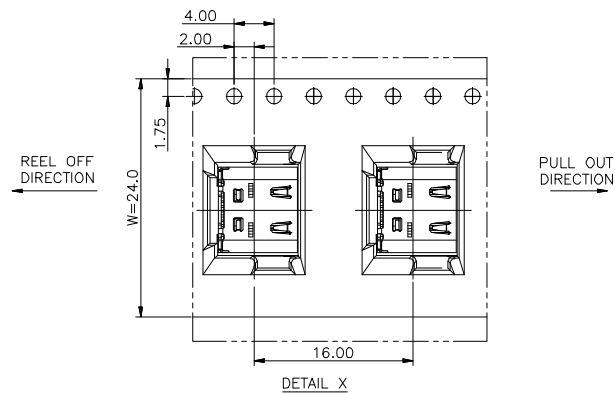
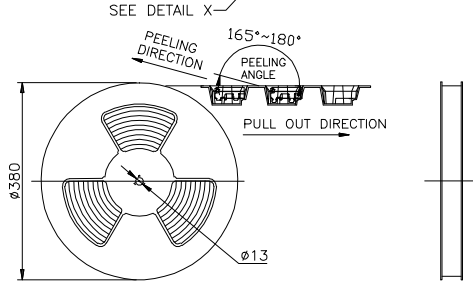
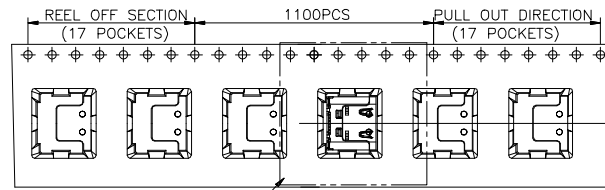
OUPIIN ELECTRONIC(KUNSHAN) CO.,LTD.

PACKAGING SPECIFICATION (包裝作業規範)

SPEC.NO.(規範編號)	8976SPP	適用產品: 8976-C24G00DB4T	PAGE	1/1	REV.	I619
----------------	---------	-----------------------	------	-----	------	------

PACKING OPERATION DIAGRAM & INSTRUCTION (包裝作業圖示及說明)

REMARK (備註)



**Packing:**  
 1100 Pcs/Reel  
 10 Reel/Carton  
 11000 Pcs/Carton

Drawn By: Martin 03/25'24