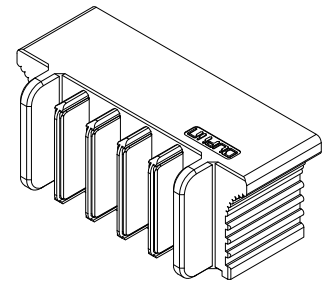


REV.	SPECIFICATION	ECN NO.	APPD.
X8			



Material and Plating:

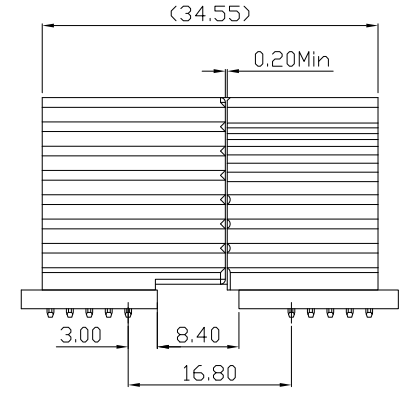
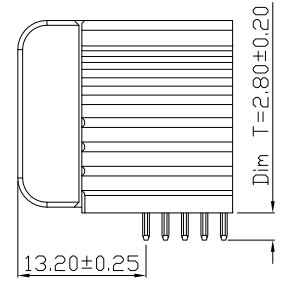
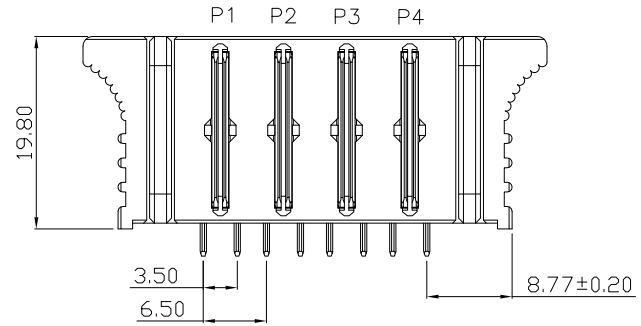
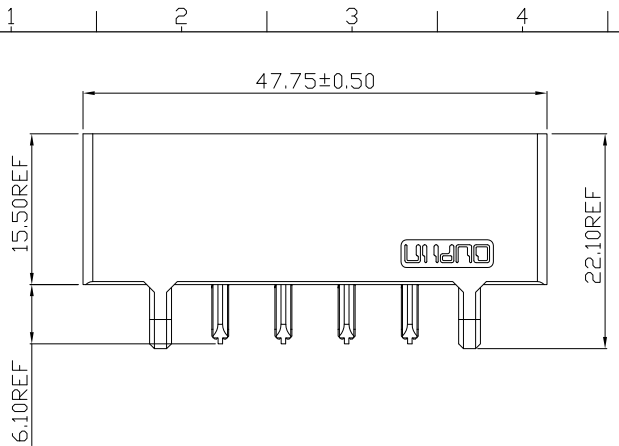
Housing: LCP, UL94V-0 , Black.
 Contacts: High Conductivity Copper.
 Gold Plated on Contact Area and 80u" Min
 Tin Plated on Solder Tail over nickel 50u" Min .

Electrical Characteristics:

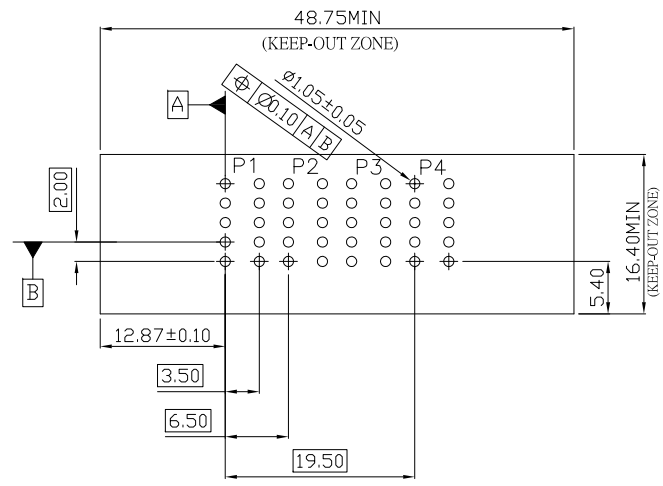
Current Rating: 100 AMP.
 Dielectric Withstanding Voltage: DC 1500V For 1 minute.
 Insulator Resistance: 1500MΩ min. at DC 500V.
 Contact Resistance: 0.70mΩ max.
 Operating Temperature: -55°C ~+125°C .

***RoHS Compliant**

Note:
 1. IR Reflow & PIP



MATING BETWEEN MALE AND FEMALE



P.C.Board Layout(Top View)
 (Tolerance:±0.05)

9310- 1 P04 C3 S A A01
 Series
 1: Male Right Angle
 P04:P04
 C3: C10
 S: Dip Type
 A: Tray Package
 A01:W/O Post, Dim T=2.80mm

Tolerances	Dwg. No.	9310-DP04-002	Title:		 OUPIIN ELECTRONIC(KUNSHAN) CO., LTD. P/N:9310-1P04C3SAA01			
x = ±0.5	Projection		9310 Series					
.x = ±0.25	Unit	mm	Scale	1:1	SHEET	1/1	Ver. No.	X8
.xx = ±0.15	Drawn By	WP 01/12'24						