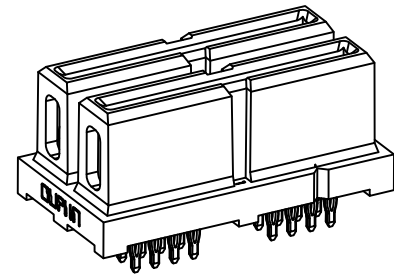
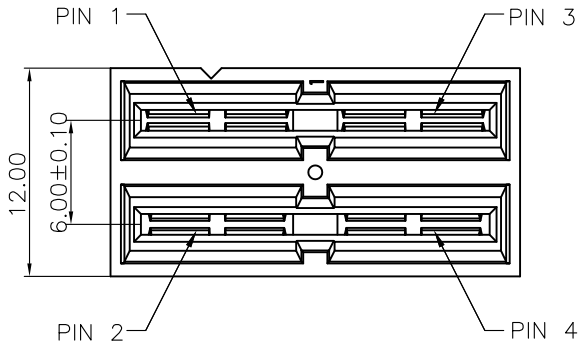


| | | | |
|------|---------------|---------|-------|
| REV. | SPECIFICATION | ECN NO. | APPD. |
| R1 | | | |



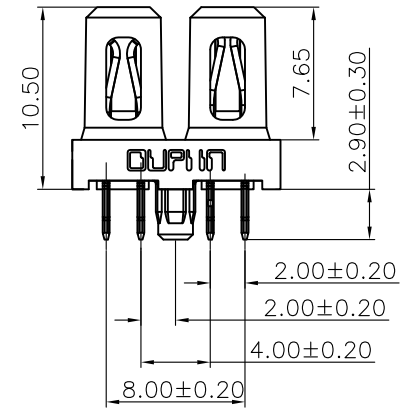
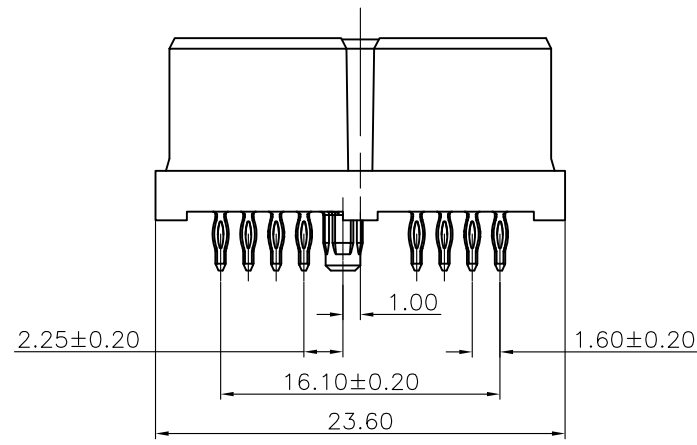
Material and Plating:

Housing: LCP ,UL94V-0.
 Power Contacts: High Conductivity Copper.
 30u" Au+Pd/Ni Contact Area and 80u" Min Tin Plated on Solder Tail over nickel 50u" Min .

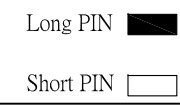
Electrical Characteristics:

Current Rating: 35AMP(2oz*2);45AMP(2oz*4).
 Dielectric Withstanding Voltage: AC 1500V For 1 minute.
 Insulator Resistance: 1500MΩ min. at DC 500V.
 Contact Resistance: 0.5mΩ max. at DC 20mA.
 Operating Temperature: -55°C~+125°C.

***RoHS Compliant**



9114-G 2 2 A B 7 P P H1 A
 Series
 2:2Row
 2:Power Pin
 Type A
 Type B
 B: Contact Au+Pd/Ni Dip Tin
 A:Tray Package
 H1:Housing 10.50mm
 P: With Post
 N: Without Post
 P: Press fit Type
 7:30u"



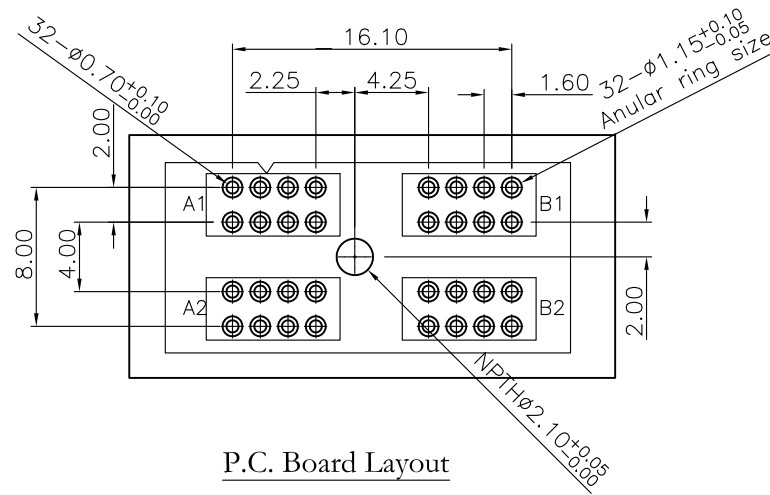
| Type No. | Product No. |
|----------|-----------------|
| | 9114-G22AB7PPXA |
| | 9114-G22BB7PPXA |

| | | | | | |
|-------------|------------|----------------|-------|---------------------------------|-----|
| Tolerances | Dwg. No. | 9114-D0000-022 | | Title: | |
| x = ±0.5 | Projection | | | 9114 Series Female connector | |
| .x = ±0.25 | Unit | mm | Scale | | 1:1 |
| .xx = ±0.15 | Drawn By | CXP 04/14'17 | | | |

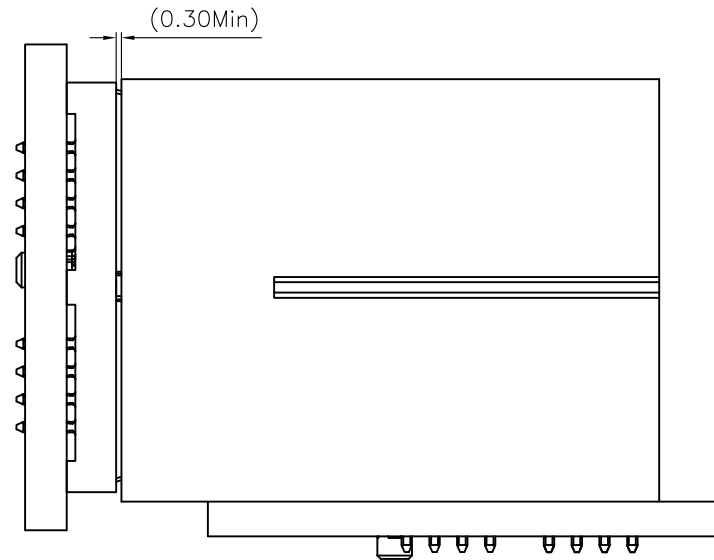
OUPIN
 OUPIN ELECTRONIC(KUNSHAN) CO., LTD.
 P/N: 9114-G22x7PPH1A

| | | | |
|-------|-----|----------|----|
| SHEET | 1/2 | Ver. No. | R1 |
|-------|-----|----------|----|

| | | | |
|------|---------------|---------|-------|
| REV. | SPECIFICATION | ECN NO. | APPD. |
| R1 | | | |



P.C. Board Layout
(Tolerance: ± 0.05)



| | | | | | |
|-------------|------------|----------------|-------|-------------|------------------|
| Tolerances | Dwg. No. | 9114-D0000-022 | | Title: | |
| x = ±0.5 | Projection | | | 9114 Series | |
| .x = ±0.25 | Unit | mm | Scale | 1:1 | Female connector |
| .xx = ±0.15 | Drawn By | CXP 04/14'17 | | | |

| | | | |
|------------------|--|--|--|
| Title: | | | |
| 9114 Series | | | |
| Female connector | | | |

| | | | |
|-------------------------------------|-----|----------|----|
| OUPIN | | | |
| OUPIN ELECTRONIC(KUNSHAN) CO., LTD. | | | |
| P/N: 9114-G22xB7PPH1A | | | |
| SHEET | 2/2 | Ver. No. | R1 |