

REV.	SPECIFICATION	ECN NO.	APPD.
R3		ECN201247	

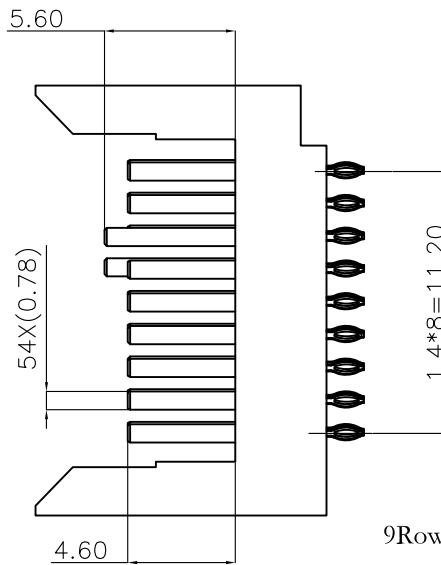
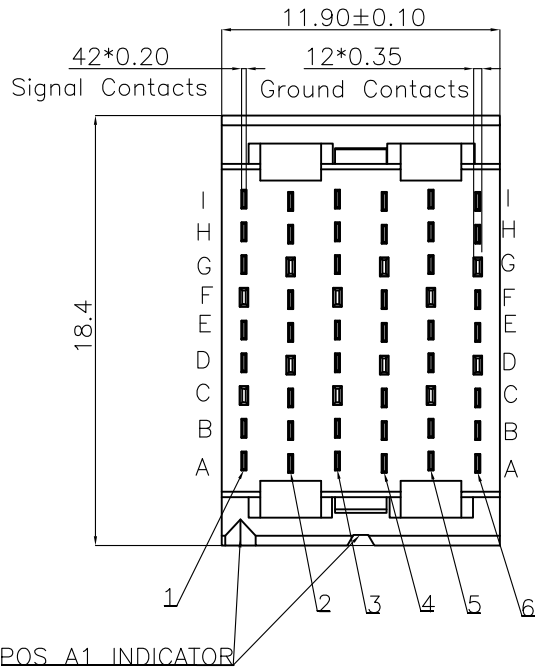
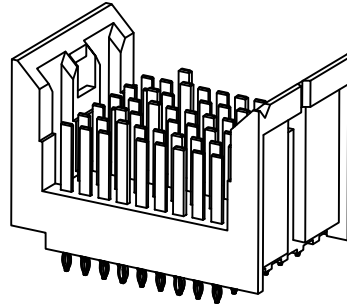
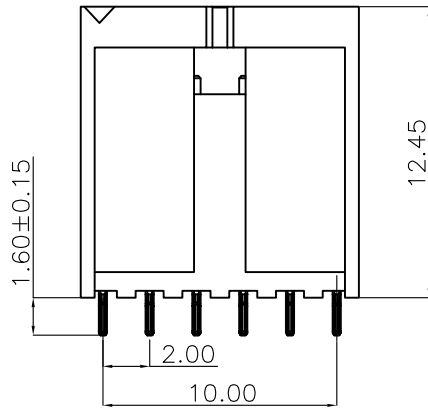
**Material and Plating:**

Housing: LCP, UL94V-0, BLACK.  
 Signal Contact: Phosphor Bronze.  
 30u" Au+Pd/Ni on Contact Area and 80u" Tin Plated on Press Fit over Nickel 50u" .

**Electrical Characteristics:**

Current Rating: 0.5Amps/Contact with all contacts powered  
 Dielectric Withstanding Voltage: Sig-Sig, Sig-Grd AC 500V For 1minute.  
 Grd-Grd AC 200V For 1 minute  
 Insulator Resistance: 1000MΩ min, Sig-Sig, Sig-Grd at DC 500V,  
 Grd-Grd at DC 200V  
 Contact Resistance: 60mΩ max. at DC 100mA.  
 Operating Temperature: -55°C~+85°C

**\*RoHS Compliant**

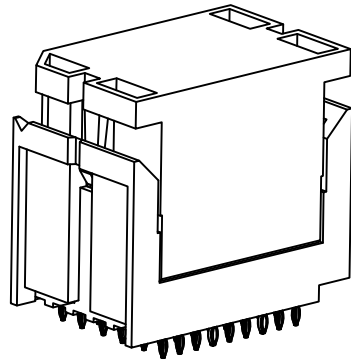
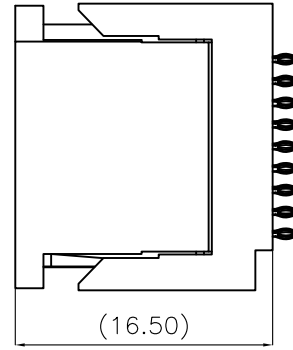
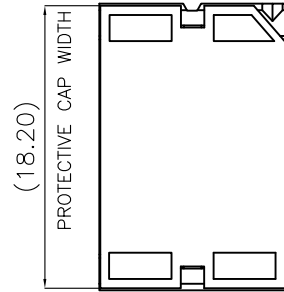


9211- 9 3 54 A 1 CB 30 P U  
 Series  
 9: 9Rows(3Pair)  
 3: Male Straight  
 9Rows 6 Column 54Position  
 A: Signal and Ground (Plate Hole  $\phi$ 0.50mm)  
 1: Dip Length(1.60mm)  
 U: Tube Package  
 P: Press Fit Type  
 30: 30  $\mu$ "  
 CB: Contact Au+Pd/Ni, Dip Tin

Tolerances	Dwg.No.	9211-D0000-001		Title:
X=±0.5	Projection			9211 Series Rapid Connector
.X=±0.25	Unit	mm	Scale 1:1	
.XX=±0.15	Drawn By	WP 12/30'20		

OUPIIN ELECTRONIC(KUNSHAN) CO., LTD.			
P/N: 9211-9354A1CB30PU			
SHEET	1/4	Ver.No.	R3

REV.	SPECIFICATION	ECN NO.	APPD.
R3		ECN201247	



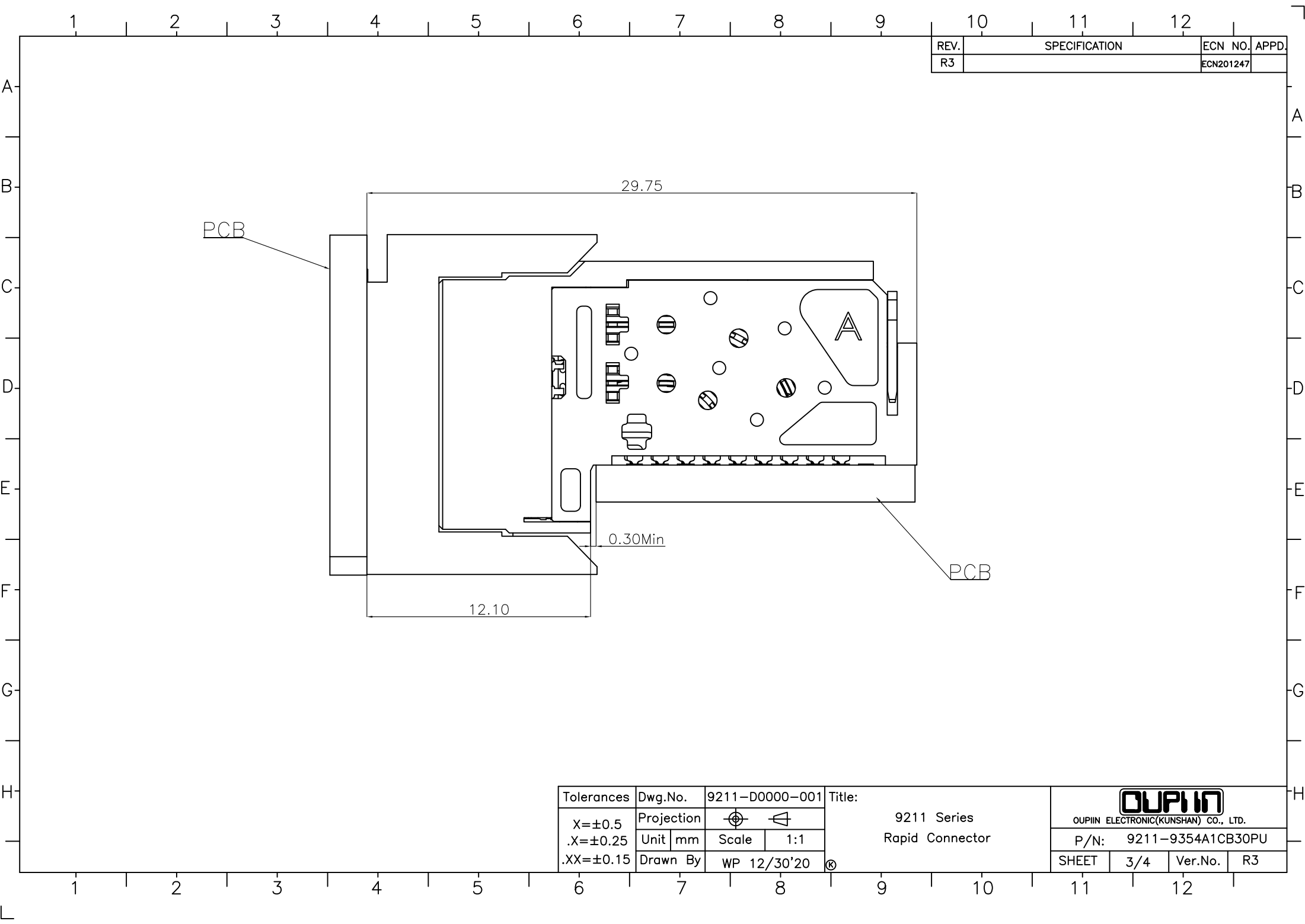
VIEWS SHOWN WITH PROTECTIVE  
COVER INSTALLED

Tolerances	Dwg.No.	9211-D0000-001		Title:
X=±0.5	Projection			9211 Series Rapid Connector
.X=±0.25	Unit	mm	Scale 1:1	
.XX=±0.15	Drawn By	WP 12/30'20		

OUPIIN ELECTRONIC(KUNSHAN) CO., LTD.			
P/N: 9211-9354A1CB30PU			
SHEET	2/4	Ver.No.	R3

OUPIIN ELECTRONIC(KUNSHAN) CO., LTD.			
P/N: 9211-9354A1CB30PU			
SHEET	2/4	Ver.No.	R3

REV.	SPECIFICATION	ECN NO.	APPD.
R3		ECN201247	

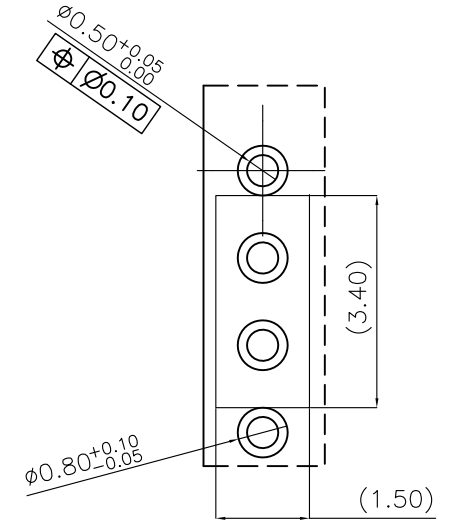
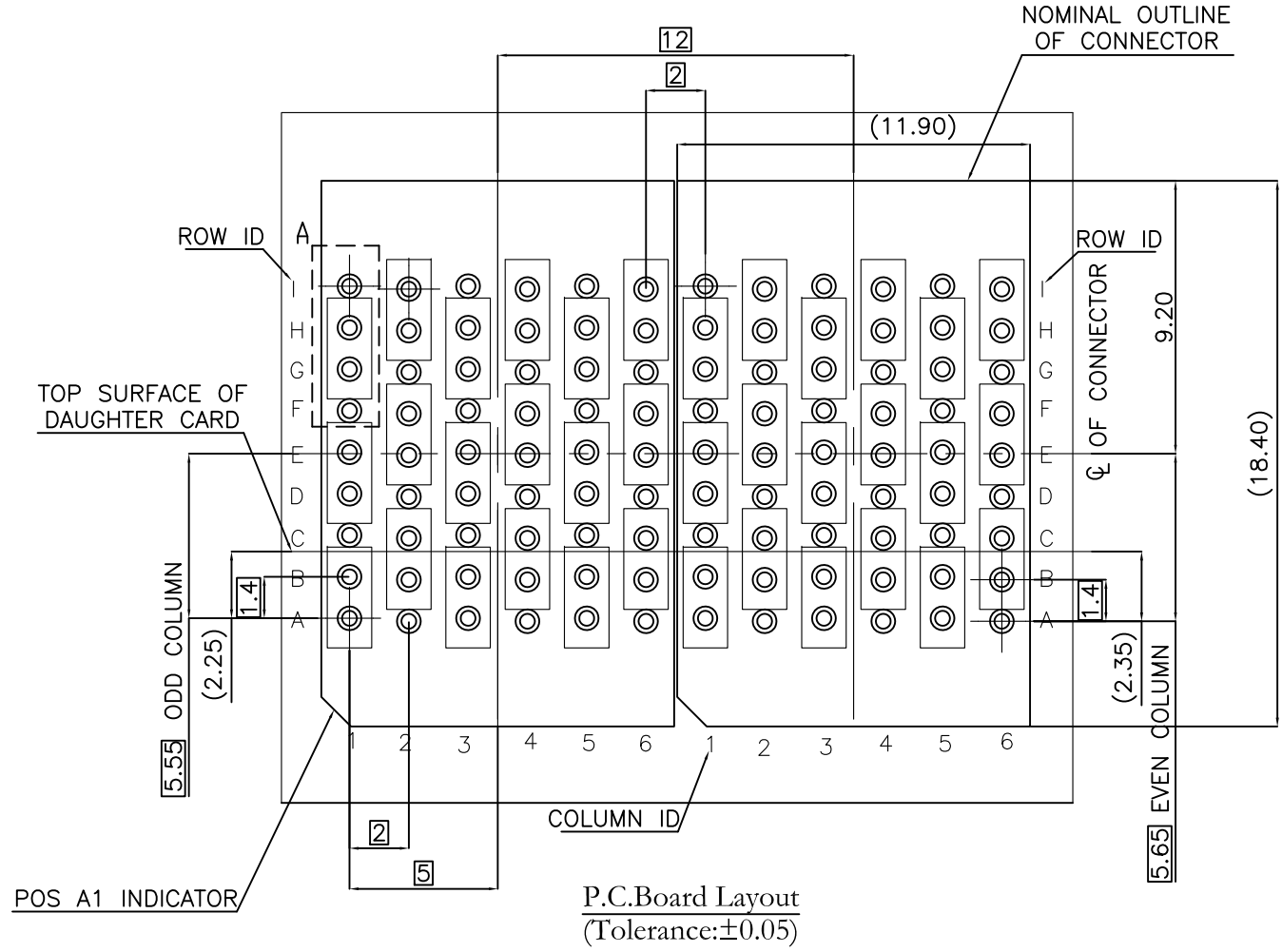


Tolerances	Dwg.No.	9211-D0000-001		Title:
X=±0.5	Projection			9211 Series Rapid Connector
.X=±0.25	Unit	mm	Scale 1:1	
.XX=±0.15	Drawn By	WP 12/30'20		

9211 Series  
Rapid Connector

OUPIIN ELECTRONIC(KUNSHAN) CO., LTD.			
P/N: 9211-9354A1CB30PU			
SHEET	3/4	Ver.No.	R3

REV.	SPECIFICATION	ECN NO.	APPD.
R3		ECN201247	



Tolerances	Dwg.No.	9211-D0000-001	Title:
X=±0.5	Projection		9211 Series Rapid Connector
.X=±0.25	Unit	mm	
.XX=±0.15	Scale	1:1	
	Drawn By	WP 12/30'20	

9211 Series  
Rapid Connector

OUPIIN ELECTRONIC(KUNSHAN) CO., LTD.			
P/N: 9211-9354A1CB30PU			
SHEET	4/4	Ver.No.	R3