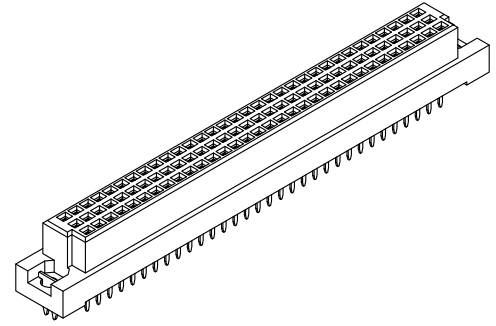
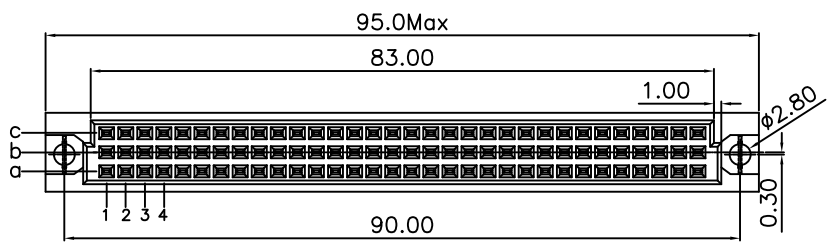
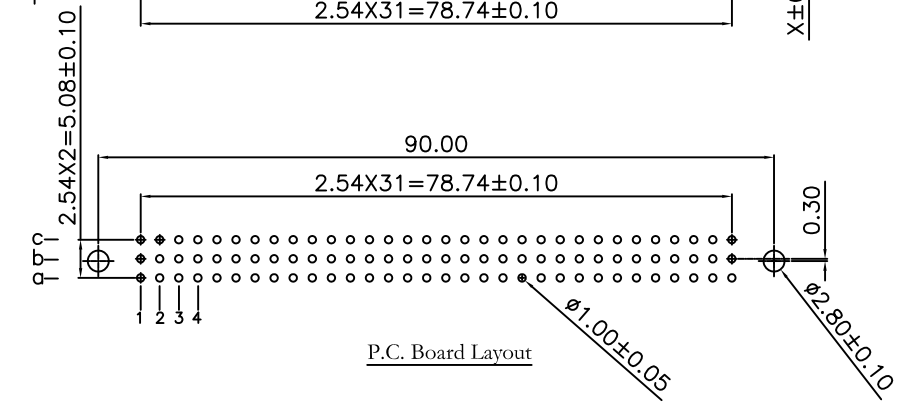
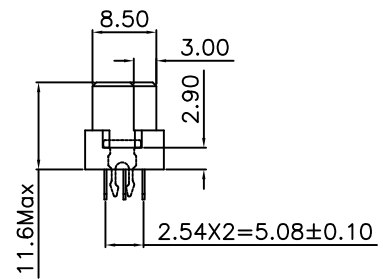
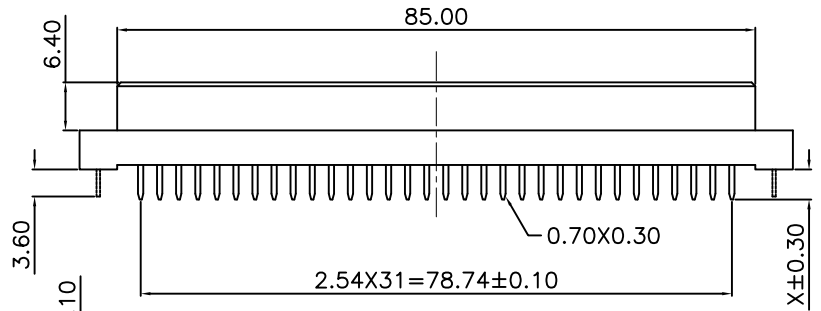


REV.	SPECIFICATION	ECN NO.	APPD.
R3		ECN191247	



**Material:**  
Housing: PBT,UL94V-0,Beige.  
Contacts: Phosphor Bronze.  
Lock: Phosphor Bronze.  
Gold Plated on Contact Area and 80u" Min Tin or Gold Flash Plated on Solder tail over 50u"Min Nickel.

**Electrical Characteristics:**  
Current Rating: 2 AMP.  
Dielectric Withstanding Voltage: AC 1000V For 1 minute.  
Insulator Resistance: 1000MΩ min. at DC 500V.  
Contact Resistance: 20mΩ max. at DC 100mA.  
Operating Temperature: -55°C~+125°C .  
**\*RoHS Compliant**



9001-C 1 2 xx 1 C xx x A  
Series | 1: 2.54mm | 2: 5.08mm | 2: Female | Position | 1: Dip Length | 2: Dip Length | C: Dip Tin | Contact Gold | G: Gold | A: Tray Package | Blank: W/O Lock | L1: With Lock | 00: G/F | 10: 10μ" | 15: 15μ" | 30: 30μ"

	length	1	2	
		X	4.0	2.5
2.54mm	96	a b c		9001-C1296xCxxxA
	64	a - c		9001-C1264xCxxxA
	32	a - -		9001-C1232xCxxxA
5.08mm	48	a b c		9001-C2248xCxxxA
	32	a - c		9001-C2232xCxxxA
	16	a - -		9001-C2216xCxxxA
Pitch	Position	Rows With Contacts	Contact Arrange	P/N

Tolerances	Dwg. No.	9001-D0000-001
x = ±0.5	Projection	
.x = ±0.25	Unit	mm
.xx = ±0.15	Scale	1:1
	Drawn By	WQ 12/23'19

Title: 9001 Series  
DIN41612 C Type  
Female

**OUPIN**  
**OUPIN ELECTRONIC(KUNSHAN) CO., LTD.**  
P/N: 9001-C1(2)xxxCxxxA  
SHEET 1/1 Ver.No. R3