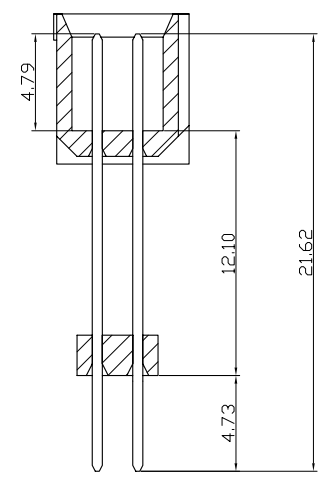
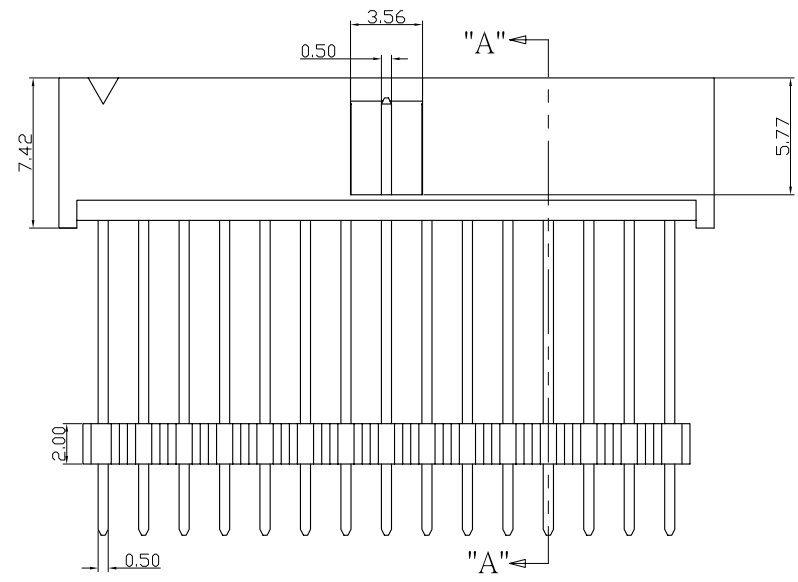
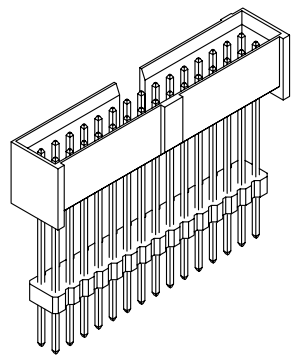
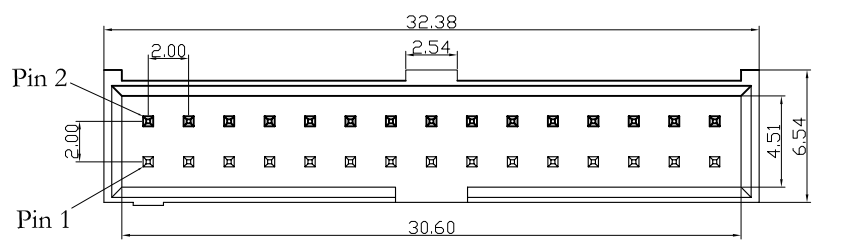


REV.	SPECIFICATION	ECN NO.	APPD.
R1	NEW		

Material:
Housing: High Temperature housing UL94V-0 .
Contacts: Copper Alloy

Electrical Characteristics:
Current Rating: 3 AMP
Dielectric Withstanding Voltage: AC 500V For 1 minute.
Insulator Resistance: 1000MΩ min. at DC 250V.
Contact Resistance: 30mΩ max. at DC 100mA.
Operating Temperature: -55°C ~+125°C .
***RoHS Compliant**



SECTION: "A"- "A"

3112- 2 X 15 C xx S U -A006

Series ————
Double Row ————
Position Per Row ————
C: Selective Gold Plated ————

Internal Code
U: Tube Package
S: Straight Type
00: G/F
10: 10u"
15: 15u"
30: 30u"

Tolerances	Dwg No.	3112-D0000-006	Title:		OUPIN OUPIN ELECTRONIC(KUNSHAN) CO., LTD.
x = ±0.5	Projection		3112 Series		
.x = ±0.25	Unit	mm	Box Header Connector		
.xx = ±0.15	Scale	1:1	2.00(0.079") Pitch Straight Type		P/N: 3112-2X15CxxSU-A006
	Drawn By	Rikey 04/07'10	SHEET	1/1	Ver.No.
					R1