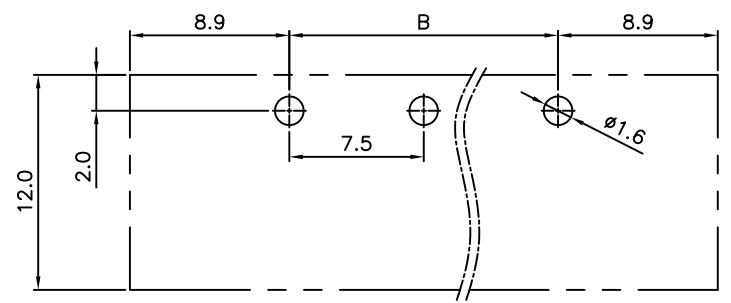
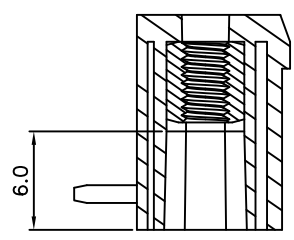
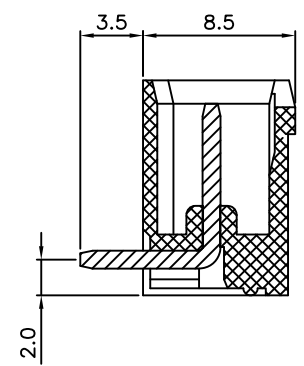
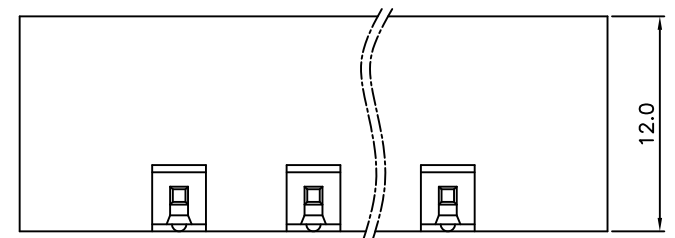
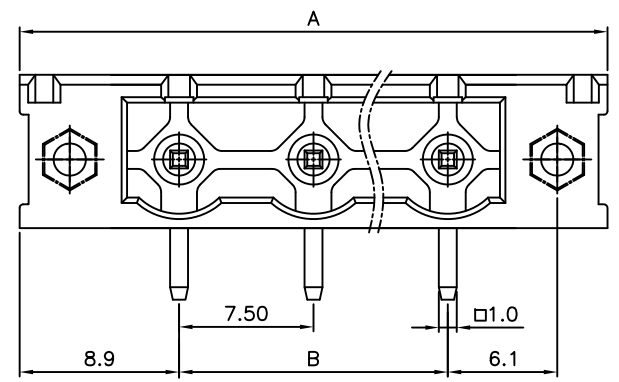


REV.	SPECIFICATION	ECN NO.	APPD.

Material:
Housing: Thermoplastic Polyester UL94V-0.
Contact Pin: Copper Alloy, Tin Plated.
Flange NUT: Copper Alloy, M2.5.

Electrical Characteristics:
Voltage Rating: 300V.
Current Rating: 20A.
Withstanding Voltage: 1.6KV.
Operating Temperature: -40°C~+115°C.

***RoHS Compliant**



P.C. Board Layout

8930- I 085120 G CA xx R B
 Series I:Pitch 7.5mm Manufacturing Code G:Green B:Black Y:Grey U:Blue CA:With Flange No. of Positions R:Right Angle B:Bulk Package for 2~4Pos. Box Package for 5~16Pos.

Tolerances	Dwg. No.	8930D01017
x = ±0.5	Projection	\oplus \triangleleft
.x = ±0.30	Unit	mm
.xx = ±0.15	Scale	1:1
	Drawn By	FL10/05'12

Title:
 8930 Series
 7.5mm Terminal Block
 (8500-xxMTR11-03)

Position	02 Thru 16		
Dimension			
A	No. of Positions *7.5+10.3		
B	(No. of Positions -1) *7.5		
OUPIN			
OUPIN ELECTRONIC(KUNSHAN) CO., LTD.			
P/N:	8930-1085120GCAxxRB		
SHEET	1/1	Ver.No.	A3

① 780