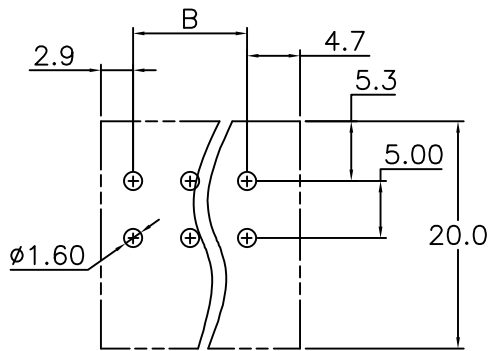
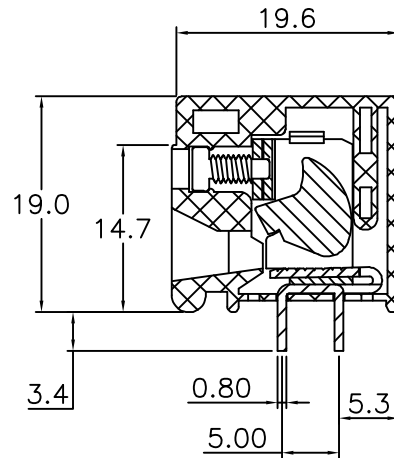
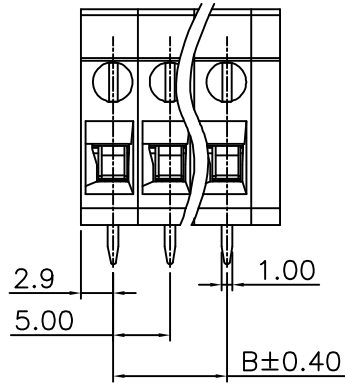
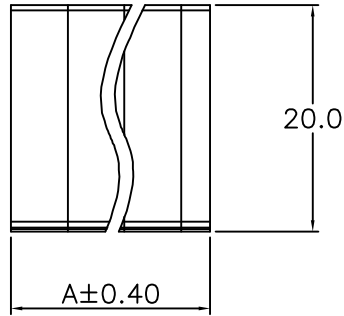


REV.	SPECIFICATION	ECN NO.	APPD.

A-
B-
C-
D-
E-
F-
G-
H-

A-
B-
C-
D-
E-
F-
G-
H-



P.C. Board Layout

Material:

Housing: Thermoplastic Polyester UL94V-0.

Solder Pin: Copper Alloy, Tin Plated.

Wire Guard: Metal.

Screw: Metal, Zinc Plated, M2.5.

Electrical Characteristics:

Voltage Rating: 300V.

Current Rating: 20A.

Solid Wire(AWG): 12-22.

Stranded Wire(AWG): 12-22.

Torque: 2.4Lb-In.

Wire Strip Length: 10-11mm.

Withstanding Voltage: 1.6KV.

Operating Temperature: -40°C~+115°C.

***RoHS Compliant**

8931- F 190200 G AA xx R B
 Series F:Pitch 5.0mm Manufacturing Code G:Green AA:Slotted "-"Screw No. of Positions R:Right Angle B:Bulk Package
 Y:Grey U:Blue

Position	2 Thru 24
Dimension	
A	No. of PositionsX5.0+2.5
B	(No. of Positions-1)X5.0

Tolerances	Dwg. No.	8931D02008	Title:
x = ±0.50	Projection		8931 Series 5.00mm Terminal Block
.x = ±0.30	Unit	mm	
.xx = ±0.15	Scale	1:1	
	Drawn By	Peggy01/16'15	① 780

OUPIIN ELECTRONIC(KUNSHAN) CO., LTD.			
P/N: 8931-F190200GAxxRB			
SHEET	1/1	Ver.No.	X2

1 2 3 4 5 6 7 8 9 10 11 12

1 2 3 4 5 6 7 8 9 10 11 12