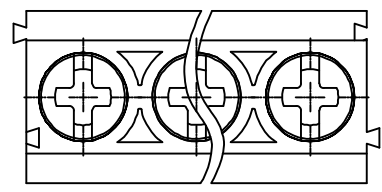
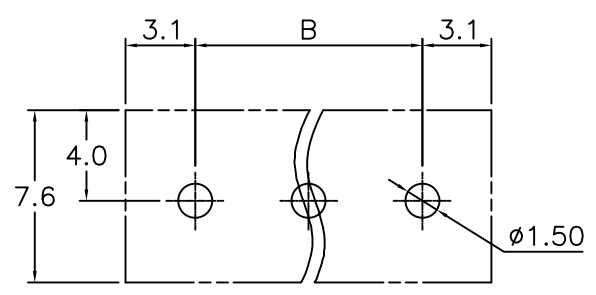
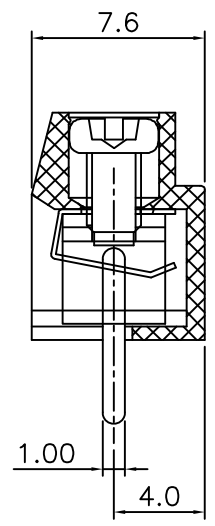
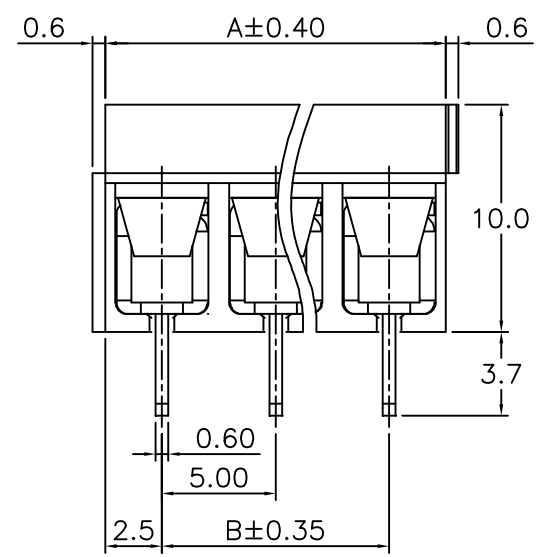


REV.	SPECIFICATION	ECN NO.	APPD.



Material:
Housing: Thermoplastic Polyester UL94V-0.
Solder Pin: Copper Alloy, Tin Plated.
Wire Guard: Metal.
Screw: Metal, Zinc Plated, M2.5.
Electrical Characteristics:
Voltage Rating: 300V.
Current Rating: 8A.
Solid Wire(AWG): 14-26.
Stranded Wire(AWG): 14-26.
Torque: 3.5Lb-In.
Wire Strip Length: 5-6mm.
Withstanding Voltage: 1.6KV.
Operating Temperature: -40°C~+115°C.
***RoHS Compliant**



P.C. Board Layout

8931- F 076100 G AB xx S B
Series F:Pitch 5.0mm Manufacturing Code G:Green AB:Combination "+"Screw No. of Positions S:Straight B:Bulk Package

Position	2 Thru 24
Dimension	
A	No. of PositionsX5.0
B	(No. of Positions-1)X5.0

Tolerances	Dwg. No.	8931D02007	Title:	
x = ±0.50	Projection		8931 Series	
.x = ±0.30	Unit	mm	5.00mm Terminal Block	
.xx = ±0.15	Scale	1:1		
	Drawn By	Vic Lyu01/06'15		

① 780

OUPIN			
OUPIN ELECTRONIC(KUNSHAN) CO., LTD.			
P/N: 8931-F076100GABxxSB			
SHEET	1/1	Ver.No.	X1