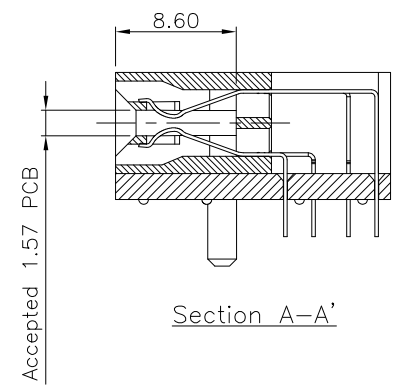
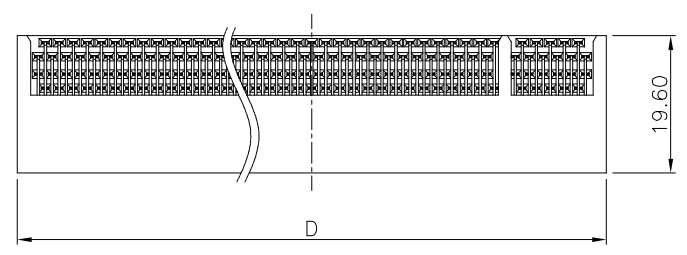
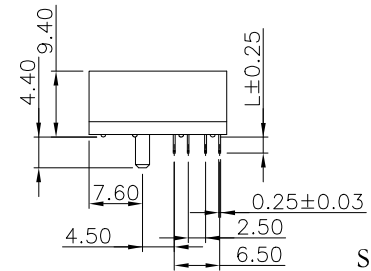
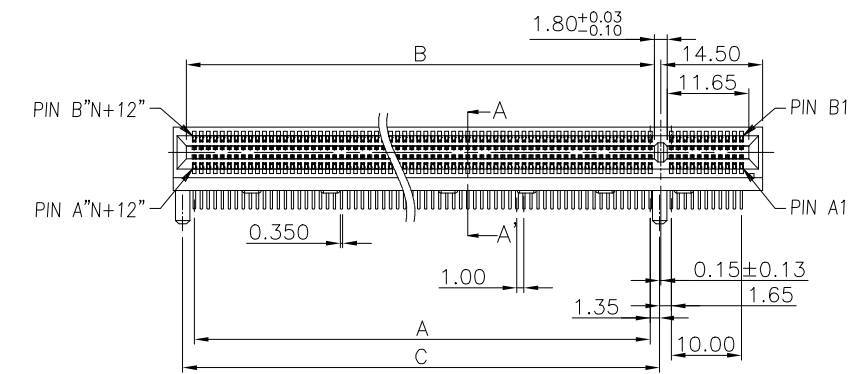


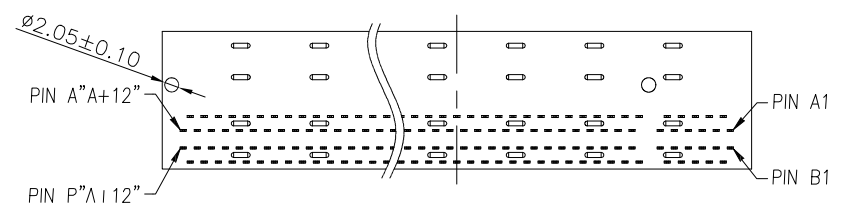
REV.	SPECIFICATION	ECN NO.	APPD.



Material:
Housing: PA9T, UL94V-0, Black.
Contacts: Phosphor Bronze, Gold Plated on Contact Area and 100u" Matte Tin Plated on Solder Tail Area over 50u" Nickel.
Electrical Characteristics:
 Current Rating: 1.1A.
 Dielectric Withstanding Voltage: AC 500V.
 Insulation Resistance: 1000MΩ min.
 Contact Resistance: 30mΩ max.
 Operating Temperature: -40°C~+85°C.
***RoHS Compliant**



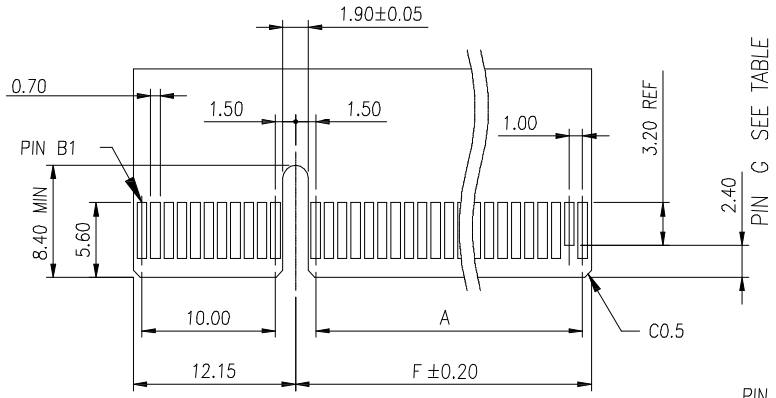
Series: 8406-C
 Positions: xx
 C: Selective Gold Plated
 00: Gold Flash
 15: 15u"
 30: 30u"
 R: Right Angle
 -2.3: L for 2.3
 Blank: L for 3.1
 A: Tray Package



DIMENSIONS				
POSITION	A	B	C	D
36	6	7.65	9.15	25.00
64	20	21.65	23.15	39.00
98	37	38.65	40.15	56.00
164	70	71.65	73.15	89.00

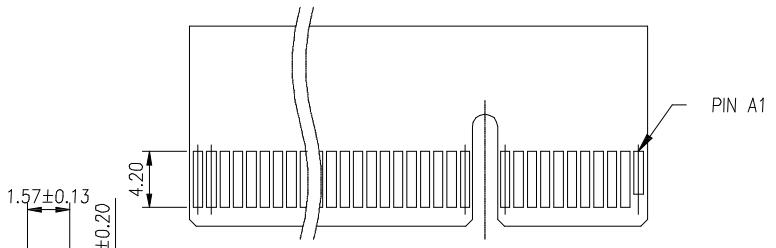
Tolerances x. = ±0.40 .x = ±0.30 .xx = ±0.20 .xxx = ±0.10	Dwg. No.	S2620230627-01		Title: 8406-C Series PCI Express Pitch 1.0mm Right Angle Type	 OUPIN ELECTRONIC(KUNSHAN) CO., LTD. P/N: 8406-CxxC00R-2.3A	
	Projection					
	Unit	mm	Scale			1:N
	Drawn By	Martin 06/27'23				⑦ 716
			SHEET	1/2	Ver.No.	X1

REV.	SPECIFICATION	ECN NO.	APPD.

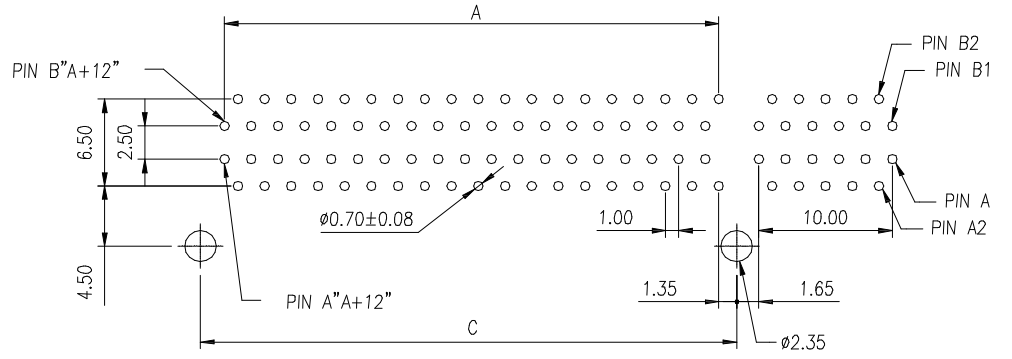


I/O PANEL DIRECTION
PRIMARY (COMPONENT) SIDE

1.47±0.13



I/O PANEL DIRECTION
SECONDARY (SOLDER) SIDE
ADD-IN CARD EDGE-FINGER DIMENSIONS



RECOMMENDED PCB LAYOUT
TOLERANCE: ±0.05

DIMENSIONS				
POSITIONS	A	C	F	G
36	6	9.15	8.15	B PIN 17
64	20	23.15	22.15	B PIN 31
98	37	40.15	39.15	B PIN 48
164	70	73.15	72.15	B PIN 81

Tolerances	Dwg. No.	S2620230627-01		Title:	
x. = ±0.40	Projection	⊕ ↗		8406-C Series	
.x = ±0.30	Unit	mm	Scale	PCI Express	
.xx = ±0.20	Scale	1:N	1:N	Pitch 1.0mm	
.xxx = ±0.10	Drawn By	Martin	06/27'23	Right Angle Type	

① 716

OUPIIN
OUPIIN ELECTRONIC(KUNSHAN) CO., LTD.
P/N: 8406-CxxC00R-2.3A

SHEET	2/2	Ver.No.	X1
-------	-----	---------	----