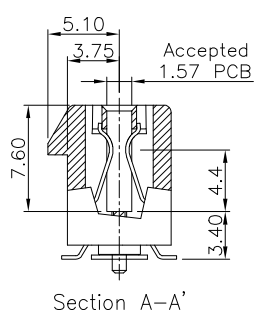
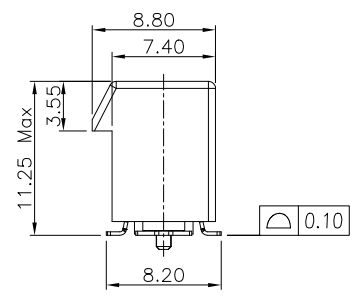
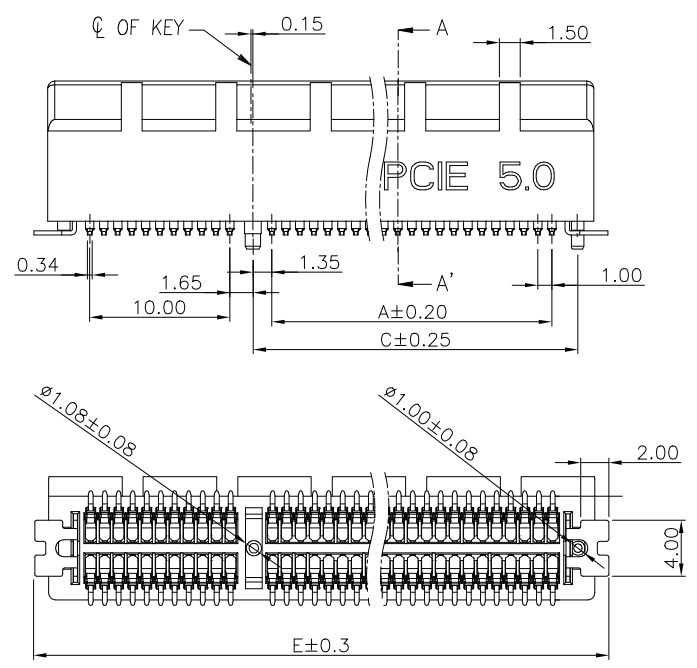
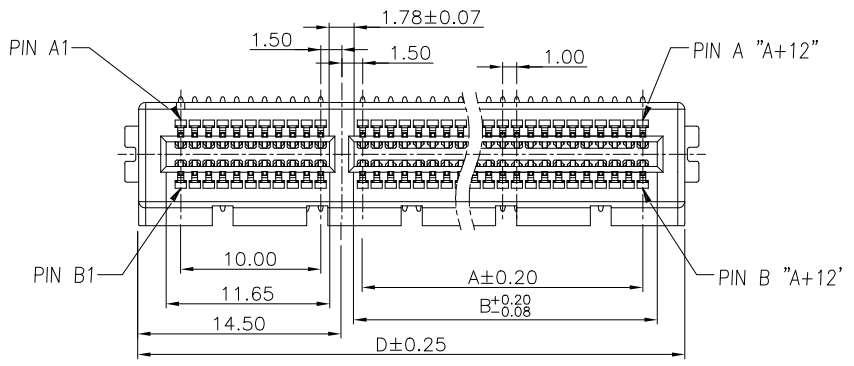


REV.	SPECIFICATION	ECN NO.	APPD.



8406-C xx C xx D P T -P -G5

Series ———— Gen5
Positions ———— P:Plastic Pad
 S:Mylar
 Blank:W/O Pad & Mylar
C:Selective Gold Plated ———— T:Tape & Reel Package
 A:Tray Package
 P:With Post

00:Gold Flash
15:15u"
30:30u"
D:SMD Type

DIMENSIONS					
POSITION	A	B	C	D	E
36	6	7.65	9.15	25	27
64	20	21.65	23.15	39	41
98	37	38.65	40.15	56	58
164	70	71.65	73.15	89	91

Tolerances	Dwg. No.	S2620230605-03	
x. = ±0.40	Projection	⊕ ⊖	
.x = ±0.30	Unit	mm	Scale 1:N
.xx = ±0.20	Drawn By	Martin 06/05'23	
.xxx = ±0.10			

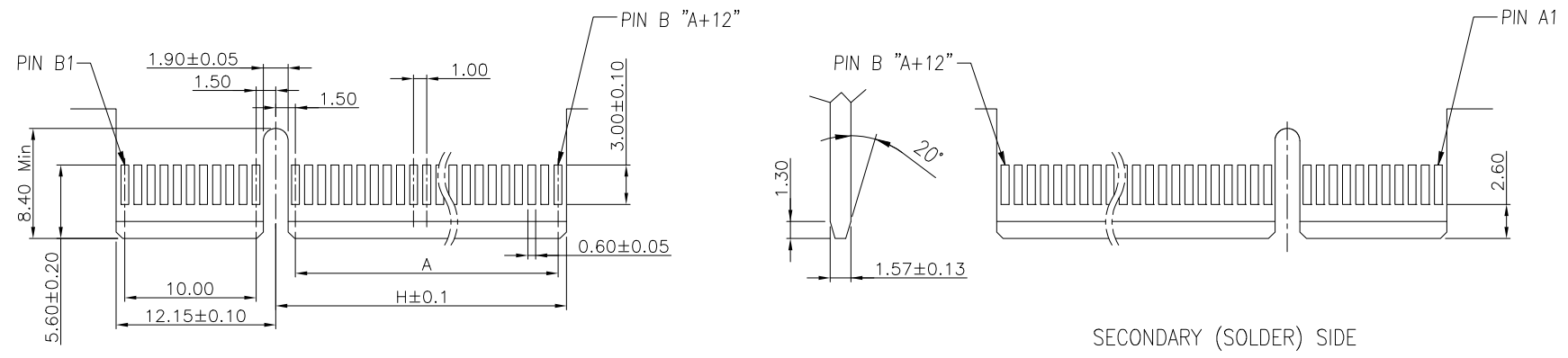
Title: 8406-C Series
PCI Express GEN5 1.0mm
SMD Type With Latch

OUPIN
OUPIN ELECTRONIC(KUNSHAN) CO., LTD.
P/N: 8406-CxxCxxDPT-P-G5

SHEET	1/3	Ver.No.	X1
-------	-----	---------	----

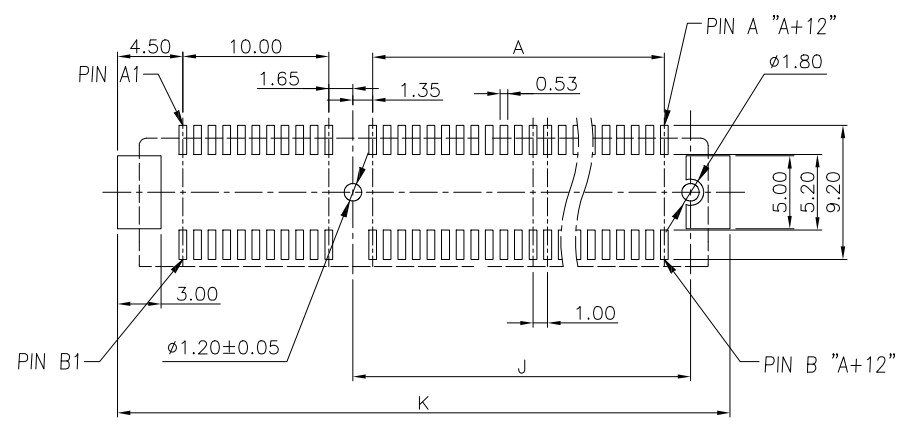
① 716

REV.	SPECIFICATION	ECN NO.	APPD.

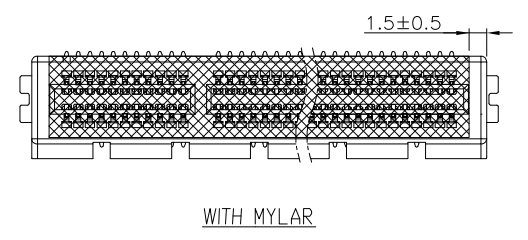
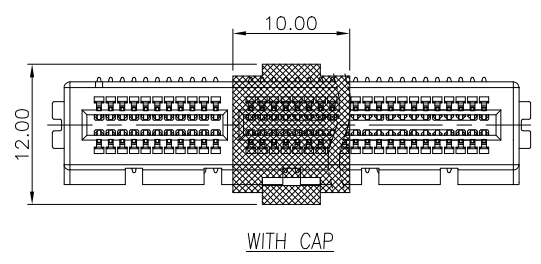


← I/O PANEL DIRECTION
PRIMARY (COMPONENT) SIDE

NOTES:
CHAMFER EDGE MUST BE FREE OF CUTTING BURRS



RECOMMENDED PCB LAYOUT
TOLERANCE: ±0.05



DIMENSIONS				
POSITION	A	H	J	K
36	6	8.15	9.15	28.0
64	20	22.15	23.15	42.0
98	37	39.15	40.15	59.0
164	70	72.15	73.15	92.0

Tolerances	Dwg. No.	S2620230605-03		Title:	8406-C Series
x. = ±0.40	Projection	⊕ ↗			PCI Express GEN5 1.0mm
.x = ±0.30	Unit	mm	Scale	1:N	SMD Type With Latch
.xx = ±0.20	Drawn By	Martin 06/05'23		① 716	
.xxx = ±0.10					

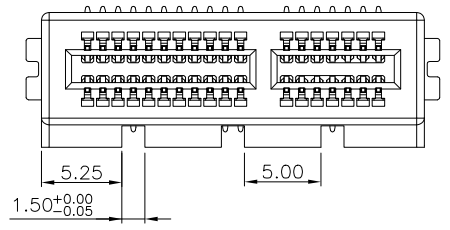
8406-C Series
PCI Express GEN5 1.0mm
SMD Type With Latch

OUPIN
OUPIN ELECTRONIC(KUNSHAN) CO., LTD.
P/N: 8406-CxxCxxDPT-P-G5

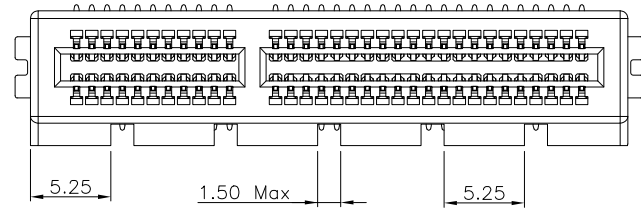
SHEET	2/3	Ver.No.	X1
-------	-----	---------	----

REV.	SPECIFICATION	ECN NO.	APPD.

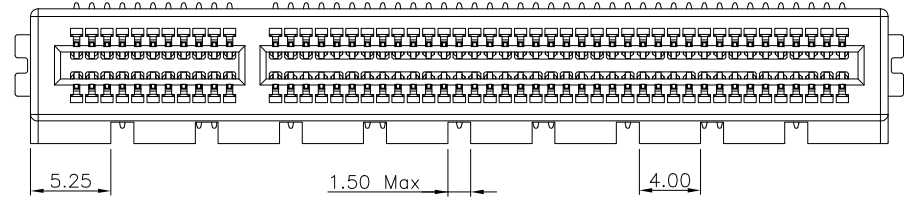
36 Pos.



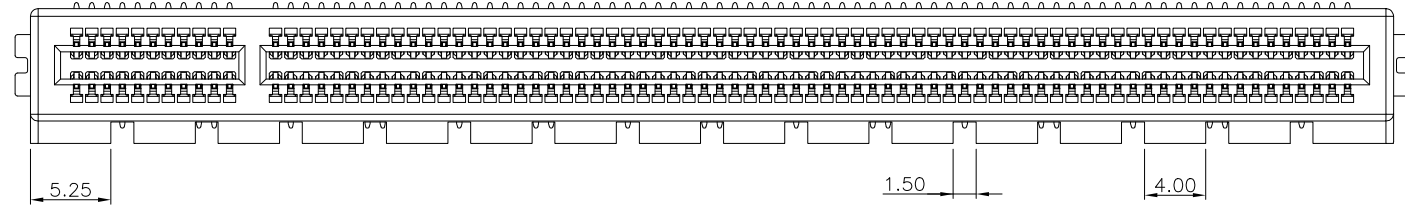
64 Pos.



98 Pos.



164 Pos.



Tolerances	Dwg. No.	S2620230605-03		Title:	
.x = ±0.40	Projection	⊕ ↗		8406-C Series	
.x = ±0.30	Unit	mm	Scale	PCI Express GEN5 1.0mm	
.xx = ±0.20	Drawn By	Martin	1:N	SMD Type With Latch	
.xxx = ±0.10		06/05'23	⊕ 716		

Title:			
8406-C Series			
PCI Express GEN5 1.0mm			
SMD Type With Latch			

OUPIN			
OUPIN ELECTRONIC(KUNSHAN) CO., LTD.			
P/N: 8406-CxxCxxDPT-P-G5			
SHEET	3/3	Ver.No.	X1