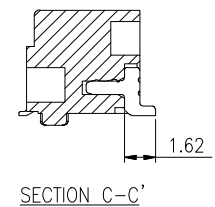
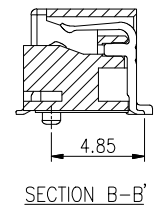
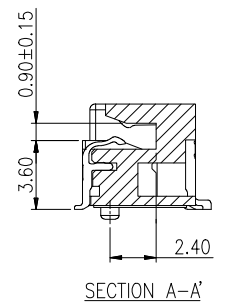
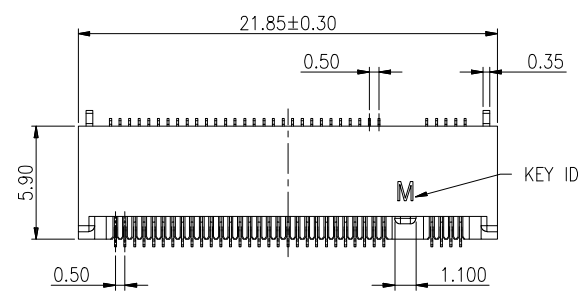
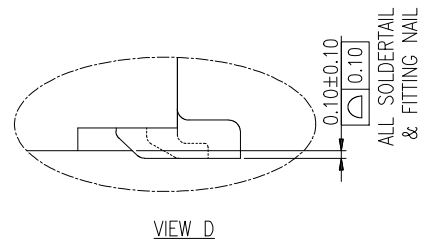
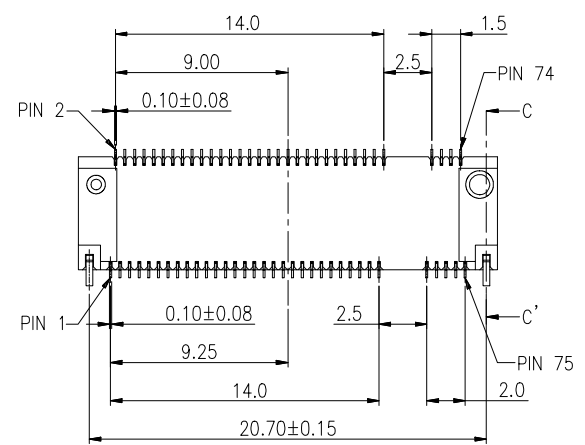
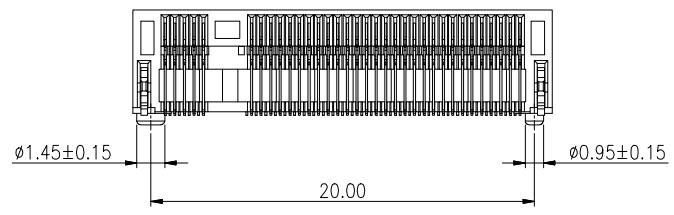
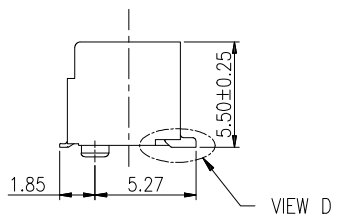
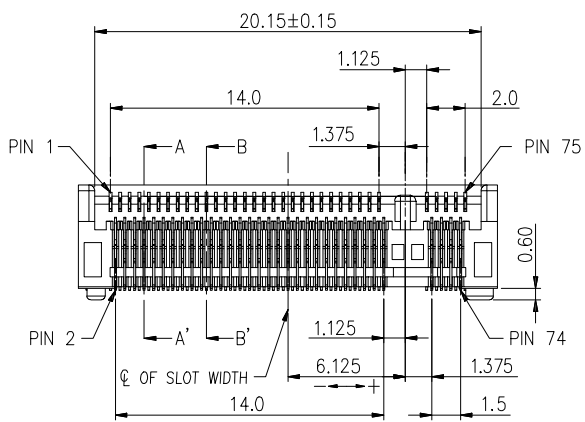


REV.	SPECIFICATION	ECN NO.	APPD.



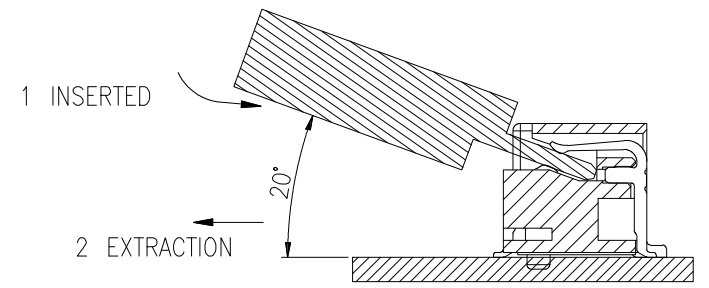
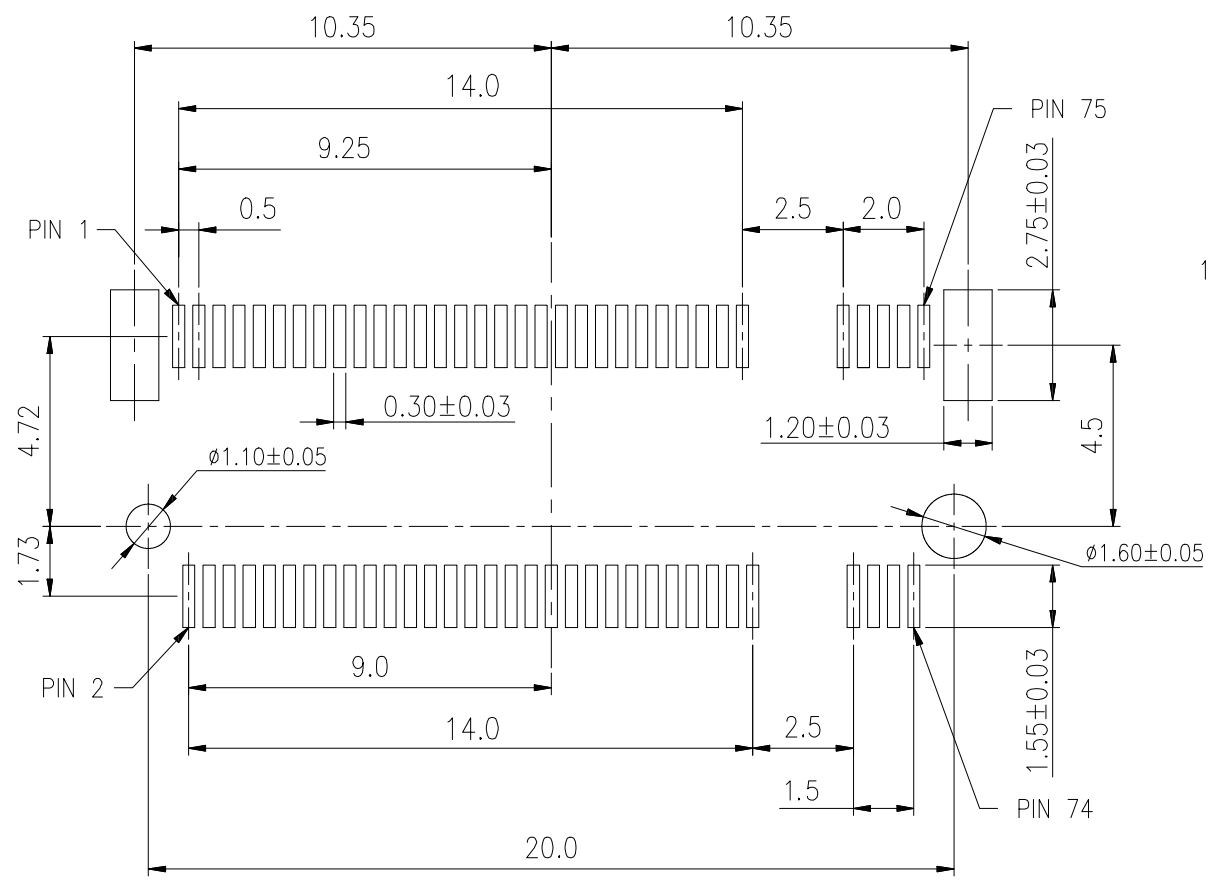
Material:
Housing: LCP, UL94V-0, Black.
Contacts: Phosphor Bronze, Gold Plated on Contact Area and Gold Flash on Solder Tail over Nickel 50~100u".
Fitting Nail: Brass, 100~200u" Matte Tin Plated on Solder Tail; 50~100u" Nickel Plated overall.
Electrical Characteristics:
Current Rating: 0.5 AMP.
Dielectric Withstanding Voltage: AC 300V.
Insulation Resistance: 500MΩ min.
Contact Resistance: 55mΩ max.
Operating Temperature: -40°C~+80°C.
***RoHS Compliant**




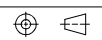
8402-C 67 G 00 M 6 T -G4
 Series ——— Gen4
 Positions ——— T:Tape & Reel Package
 G:Gold Plated ———
 6:Height 5.5mm
 00:Gold Flash ——— M:Key M
 15:15u"
 30:30u"

Tolerances x. = ±0.40 .x = ±0.30 .xx = ±0.20 .xxx = ±0.10	Dwg. No.	S2620230703-03		Title: 8402-C Series M.2(NGFF) Connector Pitch 0.5mm, Height 5.5mm Gen4	 OUPIIN ELECTRONIC(KUNSHAN) CO., LTD. P/N: 8402-C67G00M6T-G4	
	Projection					
	Unit	mm	Scale			1:N
	Drawn By	Martin 07/03'23				SHEET 1/3 Ver.No. X1

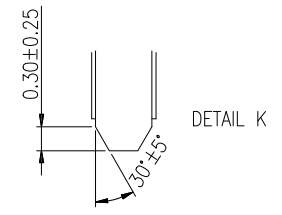
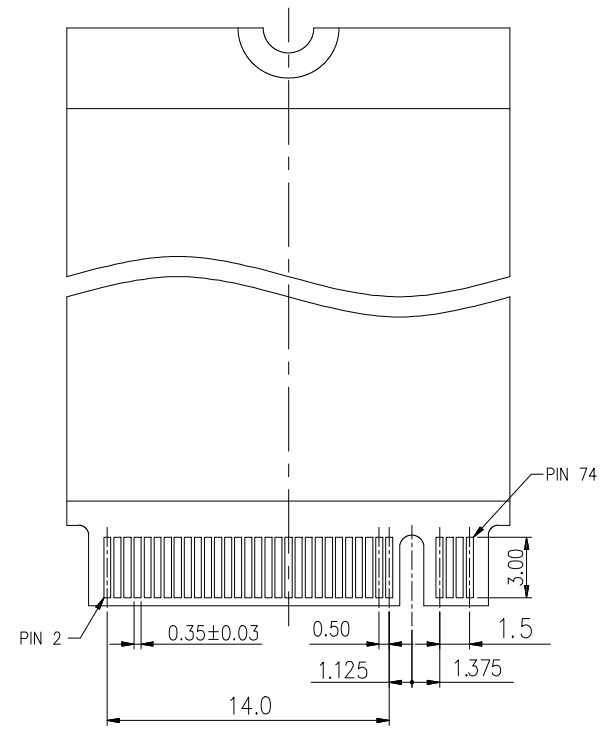
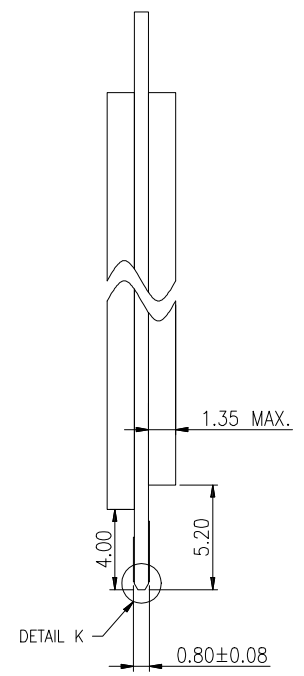
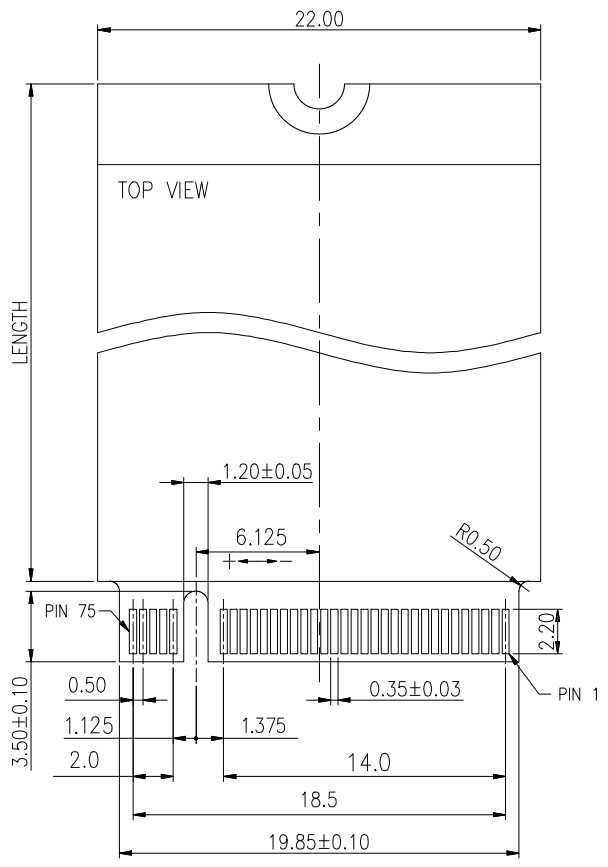
REV.	SPECIFICATION	ECN NO.	APPD.



RECOMMENDED OPERATING FLOW:
MATE: 1
UNMATE: 2

Tolerances .x = ±0.40 .x = ±0.30 .xx = ±0.20 .xxx = ±0.10	Dwg. No.	S2620230703-03		Title: 8402-C Series M.2(NGFF) Connector Pitch 0.5mm, Height 5.5mm Gen4	 OUPIIN ELECTRONIC(KUNSHAN) CO., LTD. P/N: 8402-C67G00M6T-G4	
	Projection					
	Unit	mm	Scale			1:N
	Drawn By	Martin 07/03'23				① 716
SHEET		2/3	Ver.No.	X1		

REV.	SPECIFICATION	ECN NO.	APPD.



Tolerances	Dwg. No.	S2620230703-03	
x. = ±0.40	Projection		
.x = ±0.30	Unit	mm	Scale
.xx = ±0.20	Drawn By	Martin	07/03'23
.xxx = ±0.10			

Title: 8402-C Series
M.2(NGFF) Connector
Pitch 0.5mm, Height 5.5mm
Gen4

OUPIIN			
OUPIIN ELECTRONIC(KUNSHAN) CO., LTD.			
P/N: 8402-C67G00M6T-G4			
SHEET	3/3	Ver.No.	X1