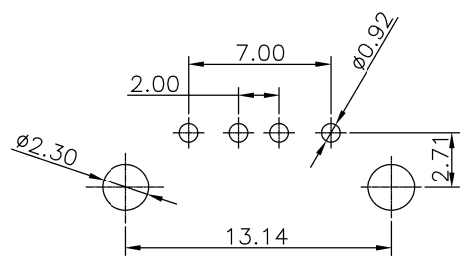
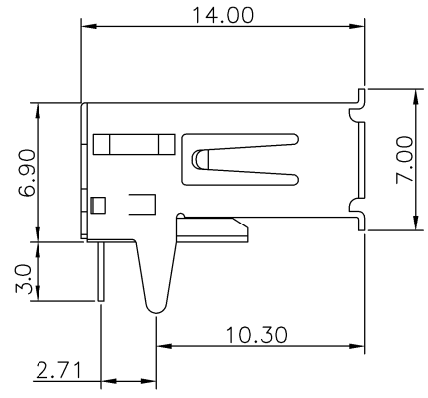
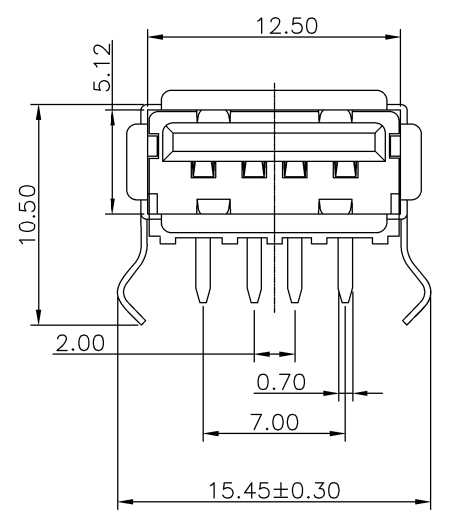


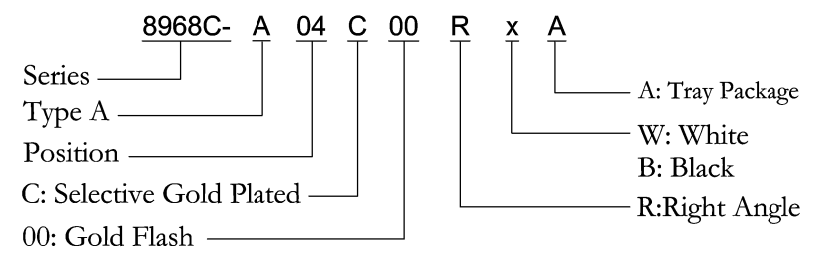
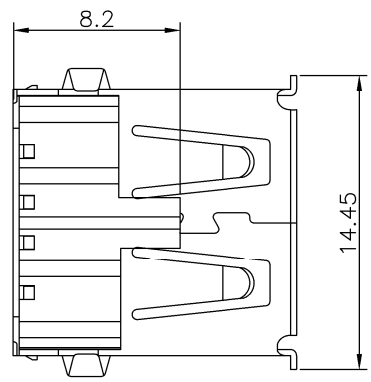
REV.	SPECIFICATION	ECN NO.	APPD.

Material:
Housing: PBT, UL94V-0.
Contacts: Brass, Gold Plated on Contact Area and Tin Plated on solder tail over Nickel.
Shell: Brass, Nickel Plated.

Electrical Characteristics:
Current Rating: 2 AMP.
Voltage Rating: AC 30V.
Insulation Resistance: 1000MΩ min.
Contact Resistance: 30mΩ max.
Operating Temperature: -55°C~+85°C.
***RoHS Compliant**



P.C.Board Layout



Tolerances	Dwg. No.	8968D02033	Title:		 OUPIN ELECTRONIC(KUNSHAN) CO., LTD. P/N: 8968C-A04C00RxA SHEET 1/1 Ver.No. A2
.x = ±0.30	Projection		8968C Series		
.xx = ±0.25	Unit	mm	Scale	1:N	
.xxx = ±0.10	Drawn By	Martin	Date	10/06'21	
			① 676	Right Angle Type	