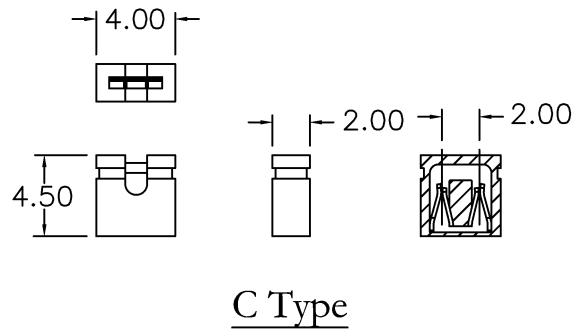
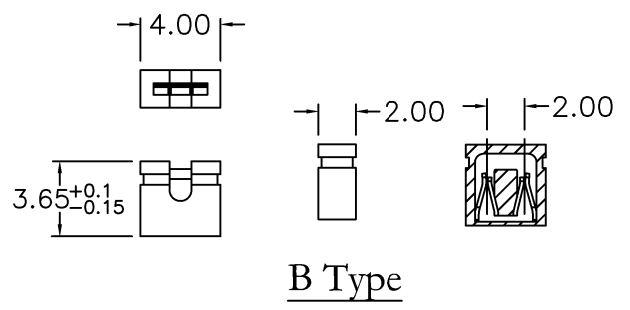
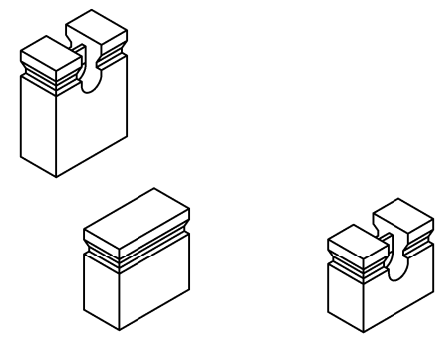
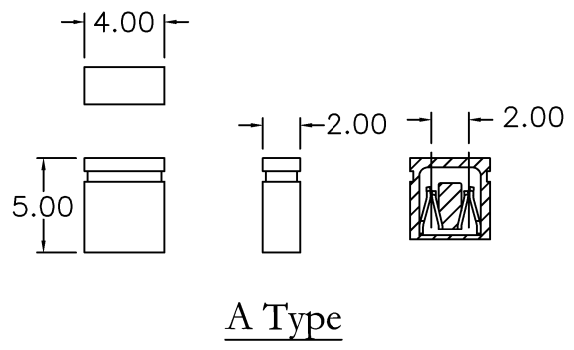


REV.	SPECIFICATION	ECN NO.	APPD.

Material:
Housing: PBT, UL94V-0.
Contacts: Phosphor Bronze, Gold Plated in Contact Area
Nickel Plated 20u" over all.

Electrical Characteristics:
Current Rating: 3 AMP.
Insulator Resistance: 5000MΩ min.
Contact Resistance: 20mΩ max
Operating Temperature: -55°C~+125°C.

***RoHS Compliant**



2106- x - B B

Series A: A Type B: Black Insulator B: Bulk Package
B: B Type R:Red
C: C Type U:Blue
Y:Yellow

*Only apply to additional colors available and maybe subject to minimum quantity.

Tolerances .x = ±0.30 .xx = ±0.20	Dwg. No.		2106D02001		Title:								
	Projection		⊕ ↺		2106 Series								
	Unit	mm	Scale	1:N	Mini Jumper 2.0mm								
	Drawn By		Martin 10/28'21		① 535								
						SHEET		1/1	Ver.No.	A7			
						P/N: 2106-x-BB							