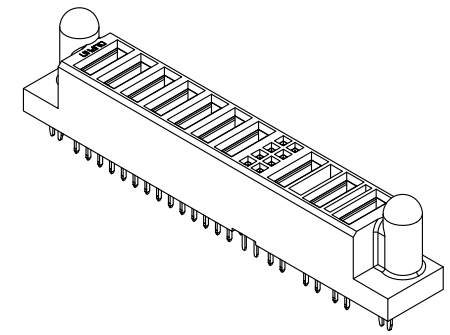
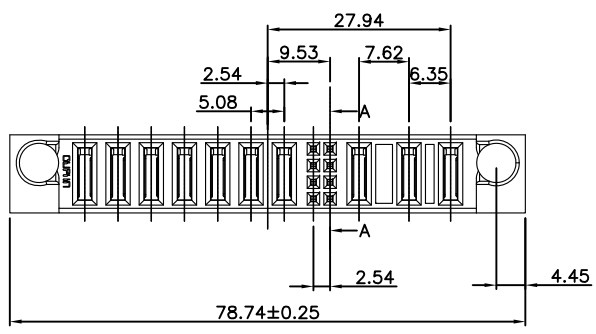
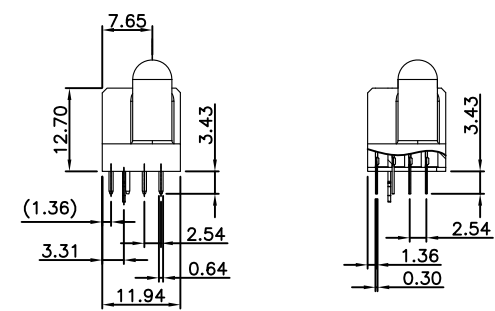
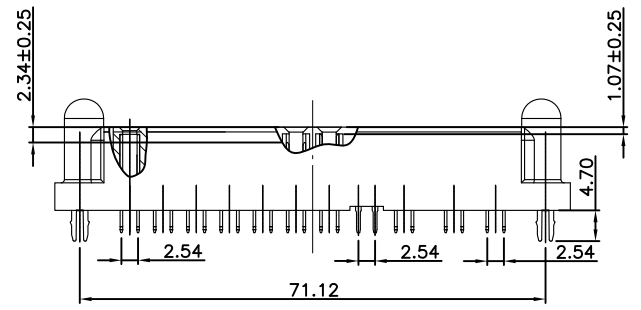


REV.	SPECIFICATION	ECN NO.	APPD.



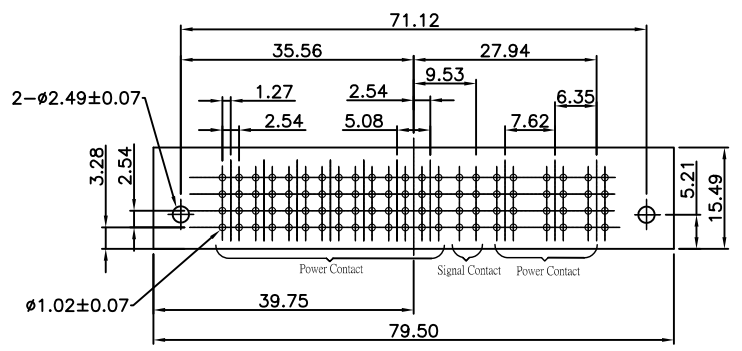
Material:
Housing:LCP, UL94V-0, BLACK.
Power Contacts: High Conductivity Copper.
30u"Au+Pd/Ni on Contact Area and 80u" Min Tin Plated on Solder Tail over Nickel 50u" Min .
Signal Contacts:Phosphor Bronze.
30u"Au+Pd/Ni on Contact Area and 80u" Min Tin Plated on Solder Tail over Nickel 50u" Min .
Electrical Characteristics:
Current Rating:Signal Pin 2.5 AMP.
Power Pin 65 AMP.(2oz X 6)
Dielectric Withstanding Voltage: Signal Pin DC 1000V For 1 minute.
Power Pin DC 2500V For 1 minute.
Insulation Resistance: Signal Pin 5000MΩ min. at DC 500V.
Power Pin 20000MΩ min. at DC 500V.
Contact Resistance: Signal Pin 15mΩ max. at DC 20mA.
Power Pin 0.7mΩ max. at DC 20mA.
Operating Temperature: -40°C~+105°C.
***RoHS Compliant**
Notes :
H: High density Power---PCB Mount 5.08mm Pitch
P: DC Power---PCB Mount 6.35mm Pitch
A: AC Power---PCB Mount 7.62mm Pitch
S: Signal---PCB Mount 2.54mm Pitch



Section A-A

ROWS	POWER							POWER			
	P10	P9	P8	P7	P6	P5	P4	21	P3	P2	P1
D	FS	FS	FS	FM	FM	FM	FS	LL	FS	FM	FM
C								LL			
B								LL			
A	HD							LL			HD

POWER CONTACT TO THE TOP DISTANCE 2.34mm, THE MATING LENGTH 3.87mm	FM
POWER CONTACT TO THE TOP DISTANCE 1.07mm, THE MATING LENGTH 5.14mm	FS
SIGNAL CONTACT 3.43 SOLDER TAIL, PD/NI	L



P.C.Board Layout
(Tolerance:±0.05)

- Series 9391-A 2 H7 S8 A1 A P2 CB 30 D L A
- 2: Female Straight
- Blank: Without Contact
- Power Contact: Hxx, Pxx, Ass
- No. of position
- Blank: Without Contact
- Signal Contact: S xx
- No. of position
- Blank: Without Contact
- Power Contact: Hxx, Pxx, Ass
- No. of position
- Power of the Pitch adjacent (A or P or H)
- A: Tray Package
- L: With Lock
- Blank: Without Lock
- D: Dip Type
- 30: 30u"
- CB: Dip Tin Plated Contact Au+Pd/Ni Plated
- Blank: Without Contact
- Power Contact: Hxx, Pxx, Ass
- No. of position

PROPOSAL ONLY

Tolerances	Dwg No.	9391-D0000-215	Title:		 OUPIN ELECTRONIC(KUNSHAN) CO., LTD. P/N: 9391-A2H7S8A1AP2CB30DLA
.x = ±0.50	Projection		9391 Series		
.xx = ±0.25	Unit	mm	Scale	1:1	
.xxx = ±0.15	Drawn By	Lucas 10/23'17	Female Straight Dip Type		
SHEET		1/1	Ver.No.	X1	