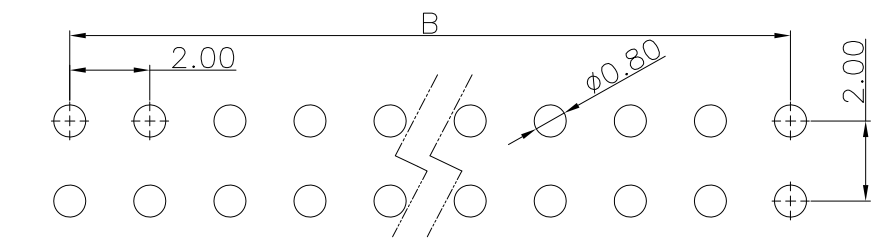
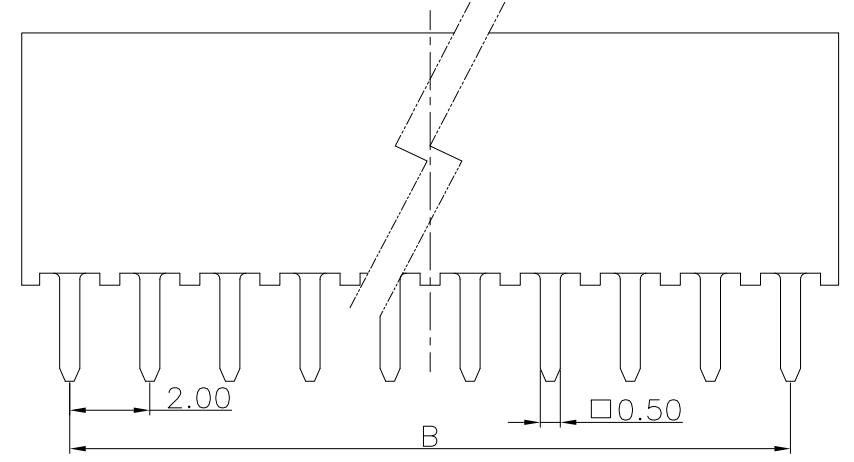
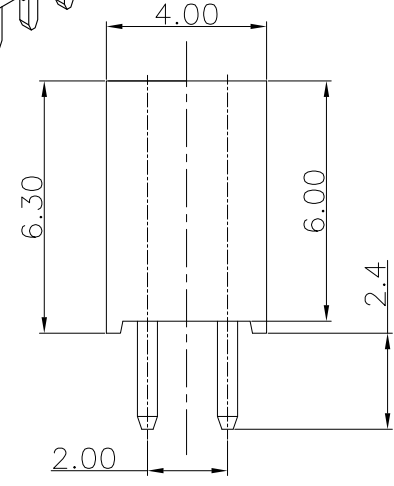
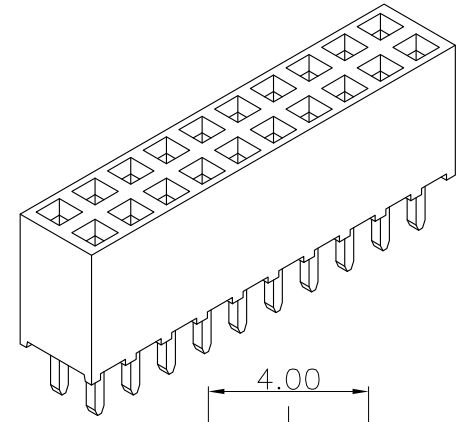
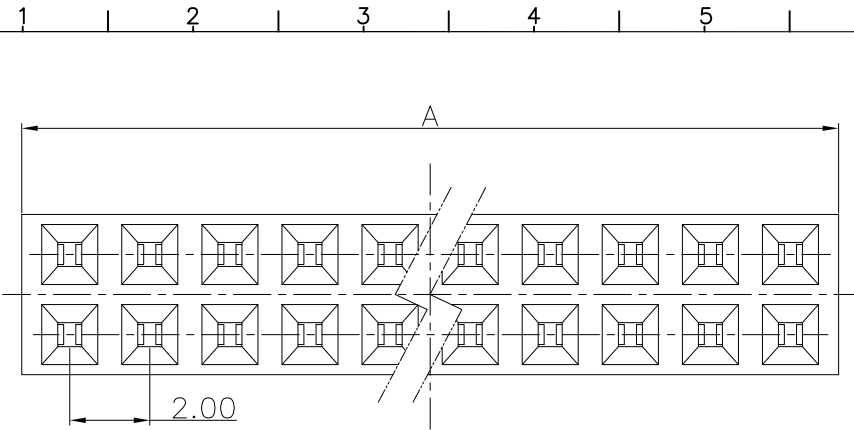


REV.	SPECIFICATION	ECN NO.	APPD.
R2			



P.C. Board Layout
(Tolerance: ±0.05)

2145- 2 X xx G xx S A

- Series
- Double Row
- No. of Pin Per Row
- G: Gold Plated
- C: Selective Gold Plated
- T: Tin Plated
- A: Tray Package
- S: Straight
- 00: G/F
- 10: 10 μ"
- 15: 15 μ"
- 30: 30 μ"

Position	6 Thru 80
Dimension	
A	2.0 X No. of Position/2+0.4
B	2.0 X No. of Position/2-2.0

Tolerances	Dwg. No.	2145-D0000-002	Title:
x = ±0.5	Projection		2145 Series P.C.B. Socket 2.0mm(0.079")
.x = ±0.25	Unit	mm	
.xx = ±0.15	Scale	1:1	
	Drawn By	ZJJ 10/09'12	

OUPIN
OUPIN ELECTRONIC(KUNSHAN) CO., LTD.
P/N: 2145-2XxxGxxSA

SHEET	1/1	Ver. No.	R2
-------	-----	----------	----