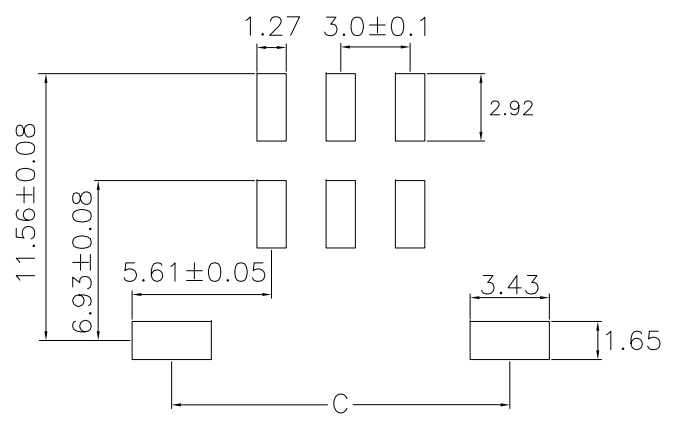
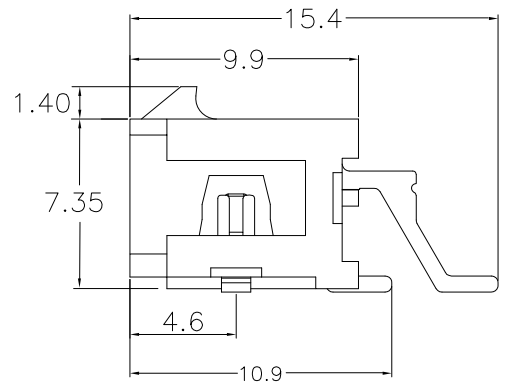
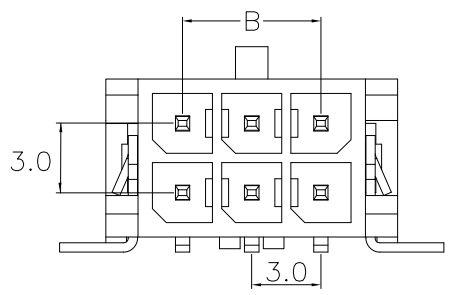
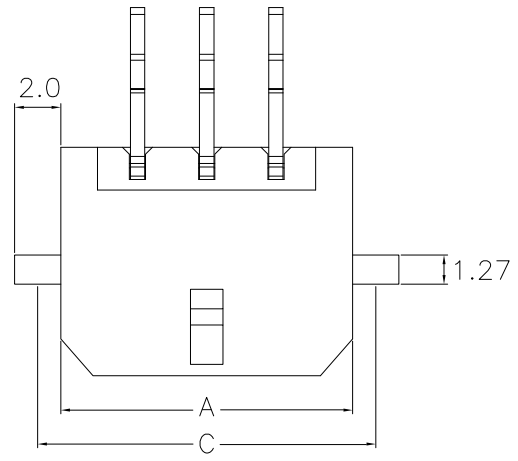


REV.	SPECIFICATION	ECN NO.	APPD.



P. C. Board Layout

Material:

Housing: LCP, UL94V-0.

Contact: Brass. 120~200u" Tin plated over Nickel 30u".

Electrical Characteristics:

Current Rating: 5.0 AMP

Voltage Rating: 250V DC/AC RMS.

Dielectric Withstanding Voltage: 1500V AC.

Insulator Resistance: 10mΩ max.

Contact Resistance: 1000MΩ min.

Operating Temperature: -25°C ~+85°C.

***RoHS Compliant**

4976- 2 X xx T D 1 T
 Series Double No. of T: Tin Plated D: SMD Type 1: Right Angle T: Tape & Reel Package
 Row Pin Per Row

Position	2 Thru 24
Dimension	
A	3.00X(No. of Positions/2)+3.65
B	3.00X(No. of Positions/2-1)
C	3.00X(No. of Positions/2)+5.65

Tolerances	Dwg. No.	4976D01008	Title:	4976 Series 3.0mm Wafer SMD Right Angle
x = ±0.5	Projection			
.x = ±0.25	Unit	mm	Scale	1:1
.xx = ±0.15	Drawn By	Ping 01/28'19	⑦732	

OUPIIN			
OUPIIN ELECTRONIC(KUNSHAN) CO., LTD.			
P/N: 4976-2XxxTD1T			
SHEET	1/1	Ver.No.	B6