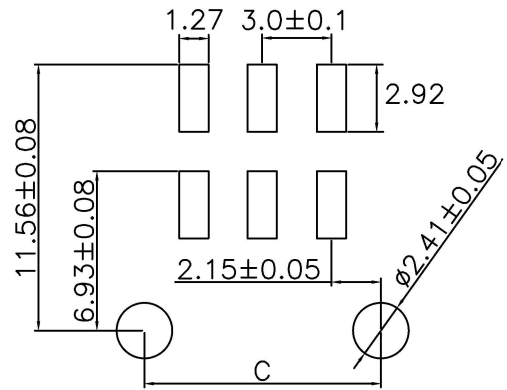
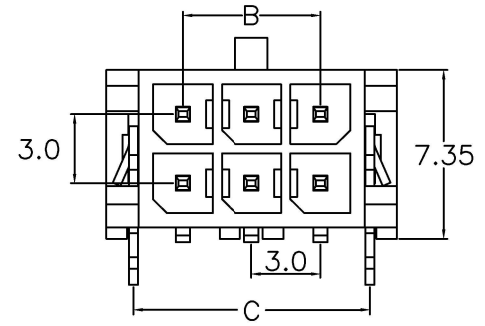
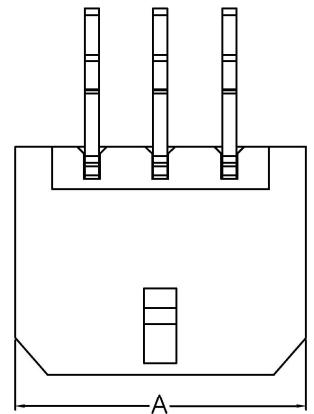
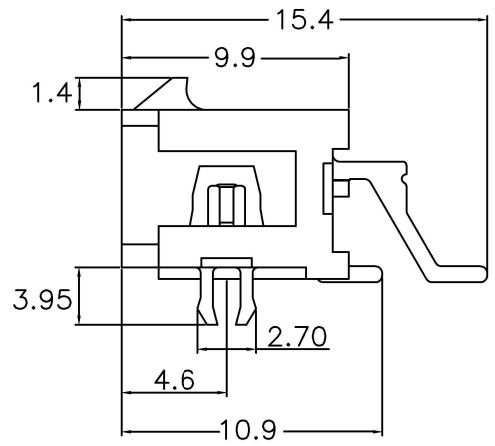


REV.	SPECIFICATION	ECN NO.	APPD.



P. C. Board Layout



4976- 2 X xx T D 1 L T
 Series Double No. of T: Tin Plated D: SMD 1:Right Angle L:With Lock T:Tape & Reel Package
 Row Row Pin Per Type

Material:

Housing: LCP,UL94V-0.
 Contact: Brass,100u" Tin Plated over Nickel 30u".
 Lock: Brass,100u" Tin Plated over Nickel 30u".

Electrical Characteristics:

Current Rating: 5.0 AMP
 Voltage Rating: 250V DC/AC RMS.
 Dielectric Withstanding Voltage: 1500V AC.
 Insulator Resistance: 1000MΩ min.
 Contact Resistance: 10mΩ max.
 Operating Temperature: -25°C ~+85°C.

***RoHS Compliant**

Position	2 Thru 24
Dimension	
A	3.00X(No. of Positions/2)+3.65
B	3.00X(No. of Positions/2-1)
C	3.00X(No. of Positions/2)+1.3

Tolerances	Dwg. No.	4976D01009
x = ±0.5	Projection	
.x = ±0.25	Unit	mm
.xx = ±0.15	Scale	1:1
	Drawn By	Sherry03/08'19

Title:
 4976 Series
 3.0mm Wafer SMD
 Right Angle

OUPIIN
 OUPIIN ELECTRONIC(KUNSHAN) CO., LTD.
 P/N: 4976-2XxxTD1LT

SHEET	1/1	Ver.No.	B6
-------	-----	---------	----

0667