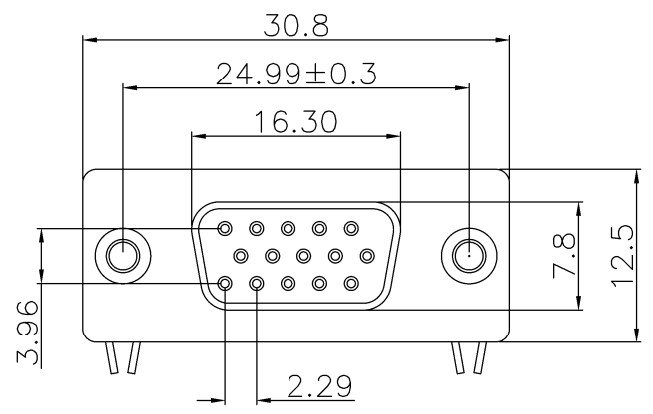
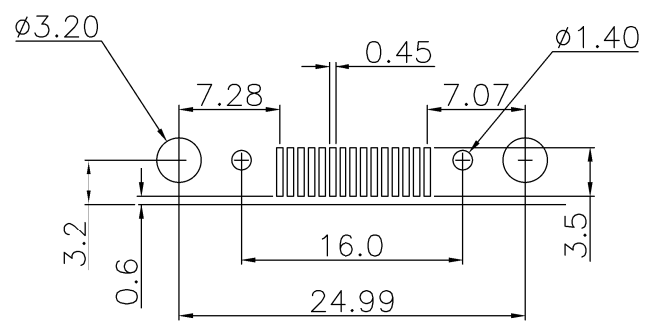
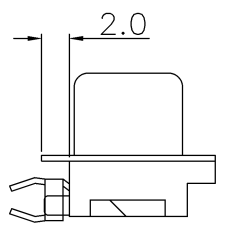
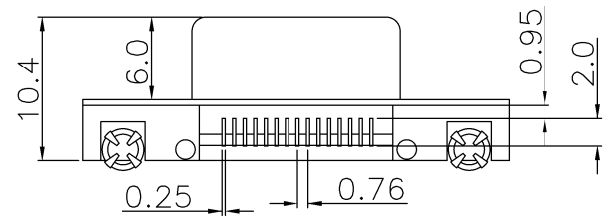


REV.	SPECIFICATION	ECN NO.	APPD.


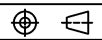


**Material:**  
Housing: LCP, UL94V-0.  
Contacts: Phosphor Bronze, Gold Plated on contact Area and 100u" Tin Plated on Solder Tail over Nickel 30u".

**Electrical Characteristics:**  
Current Rating: 1 AMP.  
Insulation Resistance: 5000MΩ min.  
Contact Resistance: 20mΩ max.  
Operating Temperature: -30°C~+105°C.  
**\*RoHS Compliant**



**7912-A**   **15**   **F**   **C**   **00**   **D**   **A**  
Series   Position   F: Female   C: Selective Gold Plated   00: Gold Flash   D: SMD Type   A: Tray Package

Tolerances	Dwg. No.	7912D02008		Title:		 <b>OUPIIN ELECTRONIC(KUNSHAN) CO., LTD.</b> P/N: 7912-A15FC00DA SHEET 1/1   Ver.No. A5
x = ±0.5	Projection			7912 Series		
.x = ±0.30	Unit	mm	Scale	D-SUB Connector		
.xx = ±0.20	Drawn By	Martin 11/25'22		Right Angle SMD Type		
				512		