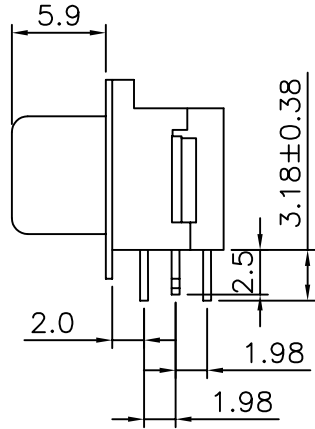
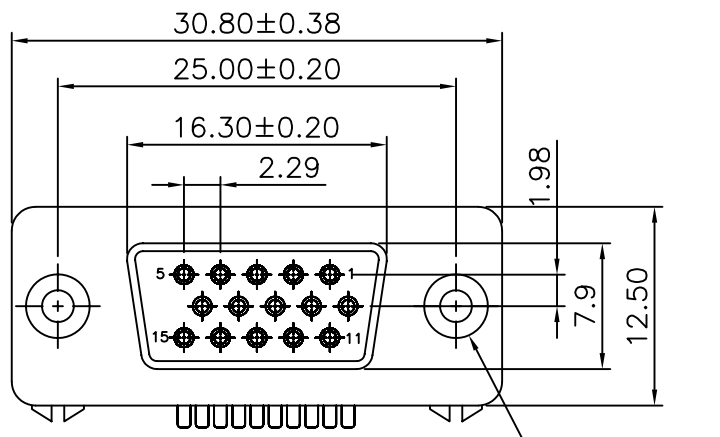


REV.	SPECIFICATION	ECN NO.	APPD.



**Material:**

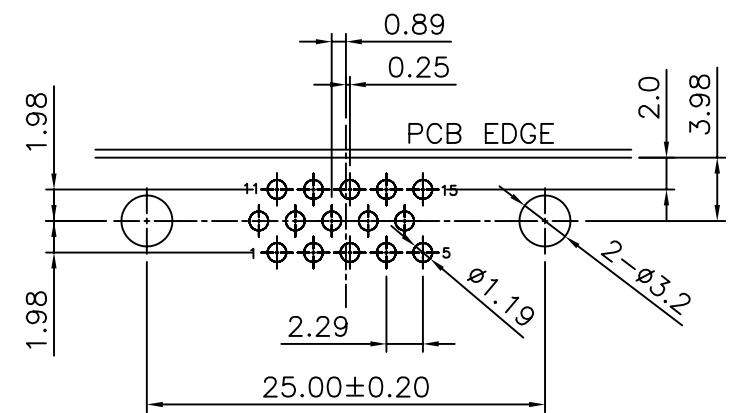
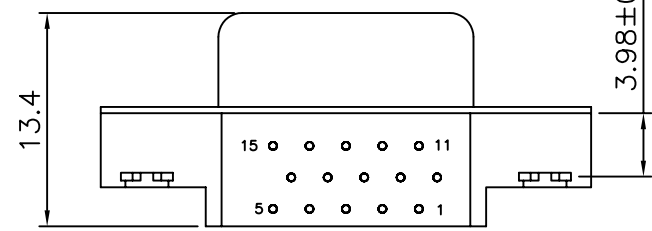
- Housing: 30% Glass filled PBT UL94V-0.
- Contacts: Copper Alloy.
- Shell: Steel.
- Boardlock: Brass.
- Riveted Insert: Brass.

**Electrical Characteristics:**

- Current Rating: 2 AMP.
- Dielectric Withstanding Volage: 1000V AC For 1 Minute.
- Insulator Resistance: 1000MΩ min. at DC 500V.
- Contact Resistance: 15m Ωmax.
- Operating Temperature: -55°C~+105°C.

**\*RoHS Compliant**

#4-40UNC



Tolerances	Drawn No.	7912D02010	Title:	
x = ±0.25	Projection		7912 Series	
.x = ±0.20	Unit	mm	Scale	1:1
.xx = ±0.15	Drawn By	Peggy 10/23'07		



OUPIIN ELECTRONIC(KUNSHAN) CO., LTD.			
P/N: 7912-A15FC00R1A			
SHEET	A1	Ver.No.	A2