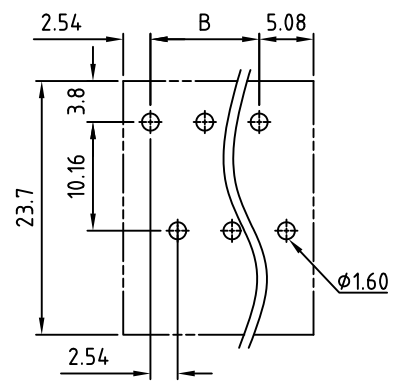
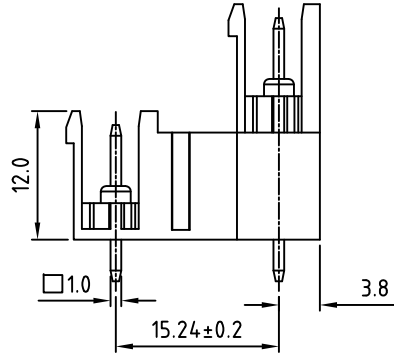
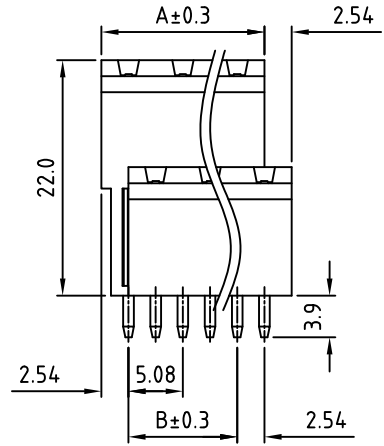
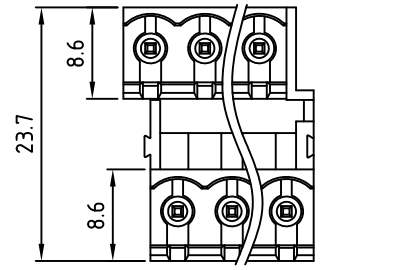


REV.	SPECIFICATION	ECN NO.	APPD.



P.C.Board Layout

Material:
Housing: Thermoplastic Polyester UL94V-0.
Contact Pin: Copper Alloy, Tin Plated.

Electrical Characteristics:
Voltage Rating: 300V.
Current Rating: 15A.
Withstanding Voltage: 1.6KV.
Operating Temperature: -40°C~+115°C.

***RoHS Compliant**

8930- G 220237 G BB xx S B
Series G:Pitch 5.08mm Manufacturing Code G:Green B:Black Y:Grey U:Blue BB:Open Type No. of Positions 04:2x02 Pos. : 48:2x24 Pos. S:Straight B:Box Package

Position Dimension	04 Thru 48
A	No. of Positions/2*5.08
B	(No. of Positions/2-1)*5.08

Tolerances	Dwg. No.	8930D01016
x = ±0.5	Projection	
.x = ±0.30	Unit	mm
.xx = ±0.15	Scale	1:1
	Drawn By	FL10/05'12

Title:
8930 Series
5.08mm Terminal Block
(8800-xxMTS12-03)

OUPIIN
OUPIIN ELECTRONIC(KUNSHAN) CO., LTD.
P/N: 8930-G220237GBBxxSB

SHEET	1/1	Ver.No.	A3
-------	-----	---------	----

①780