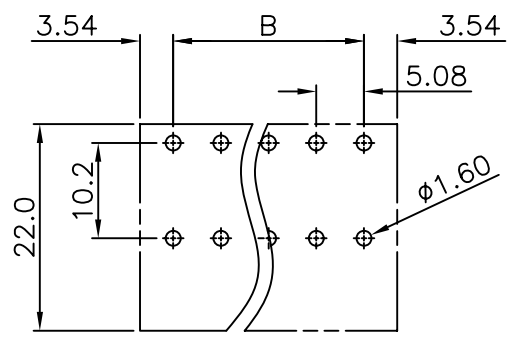
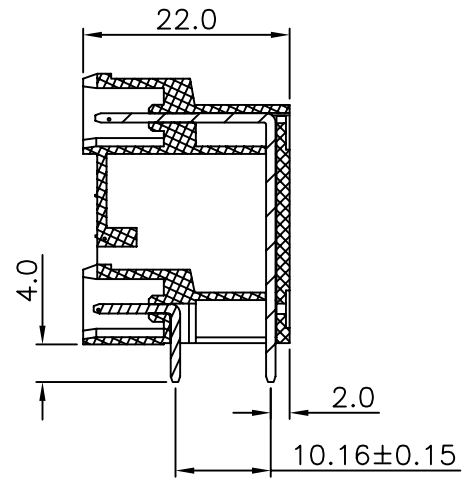
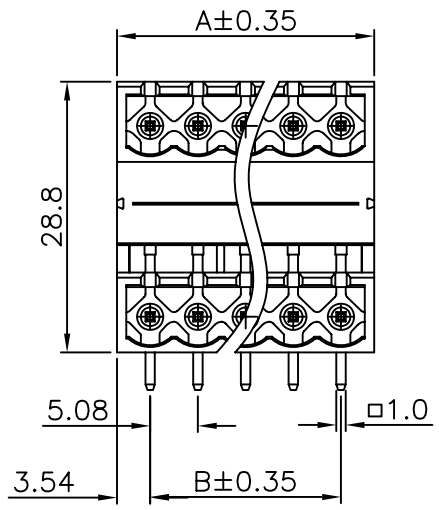
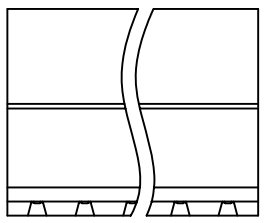


REV.	SPECIFICATION	ECN NO.	APPD.



P.C. Board Layout

**Material:**

Housing: Thermoplastic Polyester UL94V-0.  
 Contact Pin: Copper Alloy, Tin Plated.

**Electrical Characteristics:**

Voltage Rating: 300V.  
 Current Rating: 20A.  
 Withstanding Voltage: 1.6KV.  
 Operating Temperature: -40°C~+115°C.

**\*RoHS Compliant**

8930- G 220288 G BA xx R B  
 Series G:Pitch 5.08mm Manufacturing Code G:Green B:Black Y:Grey U:Blue BA:Close Type xx No. of Positions 04:2x02 Pos. : 48:2x24 Pos. R:Right Angle B:Bulk Package for 4~8Pos. Box Package for 10~48Pos.

Position	4 Thru 48
Dimension	
A	(No. of Positions/2 - 1) * 5.08 + 7.08
B	(No. of Positions/2 - 1) * 5.08

Tolerances x = ±0.5 .x = ±0.30 .xx = ±0.15	Dwg. No.	8930D01015	Title:		 OUPIIN ELECTRONIC(KUNSHAN) CO., LTD. P/N: 8930-G220288GBAxxRB SHEET 1/1 Ver.No. A4
	Projection		8930 Series		
	Unit mm	Scale	5.08mm Terminal Block (8800-xxMTR11-05)		
	Drawn By	Peggy09/30'14	0780		