

REV.	SPECIFICATION	ECN NO.	APPD.

Material:

Housing: Thermoplastic Polyester UL94V-0.

Solder Pin: Copper Alloy, Tin Plated.

Flange NUT: Copper Alloy, M2.5.

Electrical Characteristics:

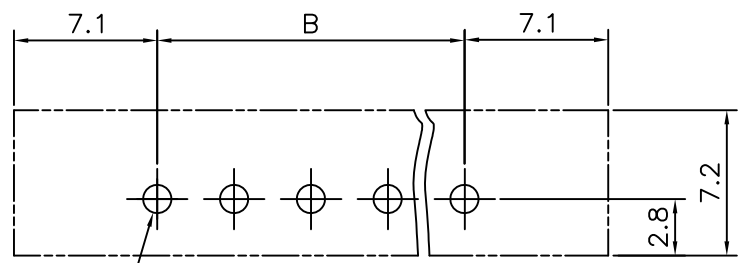
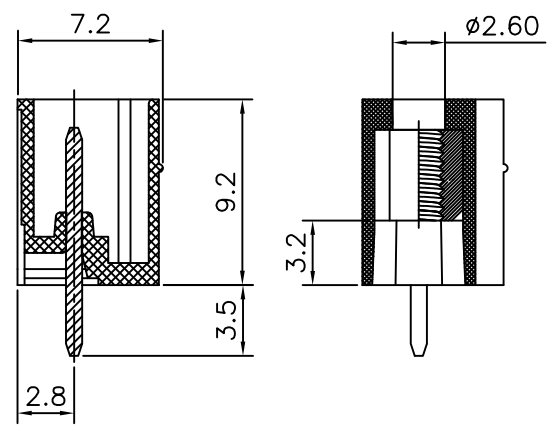
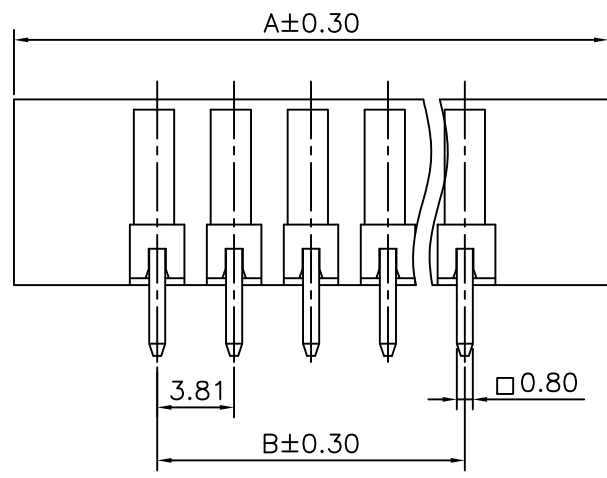
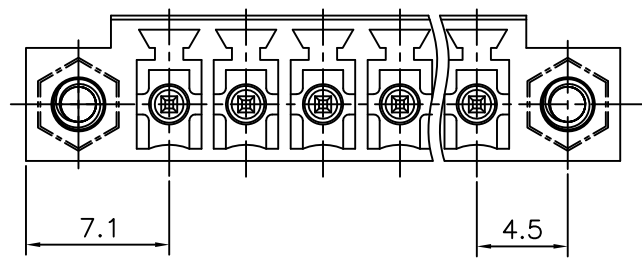
Voltage Rating: 300V.

Current Rating: 10A.

Withstanding Voltage: 1.6KV.

Operating Temperature: -40°C~+115°C.

***RoHS Compliant**



P.C.Board Layout

8930- Series D Pitch 3.81mm 072092 Manufacturing Code G Green CA With Flange xx No. of Positions S Straight B Bulk Package for 2~5 Pos Box Package for 6~24 Pos
B Black Y Grey U Blue

Position	2 Thru 24
Dimension	2 Thru 24
A	(No. of Positions - 1) * 3.81 + 14.2
B	(No. of Positions - 1) * 3.81

Tolerances	Dwg. No.	8930D01022
x = ±0.5	Projection	
.x = ±0.30	Unit	mm
.xx = ±0.15	Scale	1:1
	Drawn By	Xi MM 05/16'13

Title: 8930 Series
 3.81mm Terminal Block
 (Old P/N: 8100-xxMTS11-05)
 780

OUPIN			
OUPIN ELECTRONIC(KUNSHAN) CO., LTD.			
P/N: 8930-D072092GCAxxSB			
SHEET	1/1	Ver.No.	A1