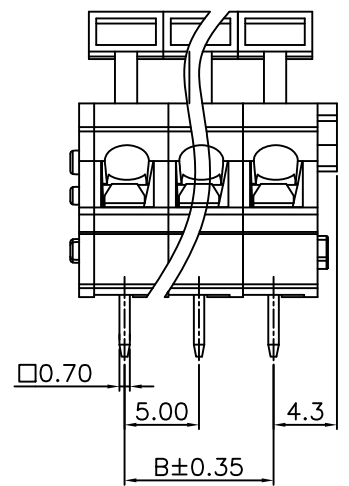
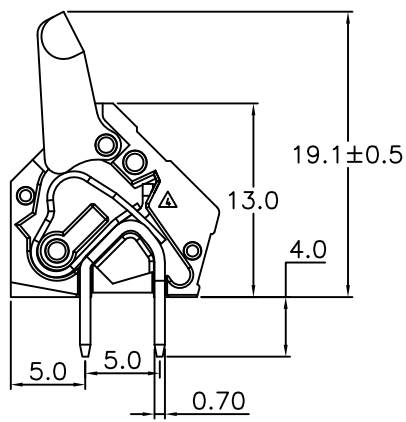
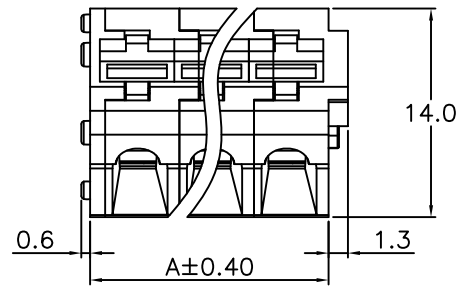
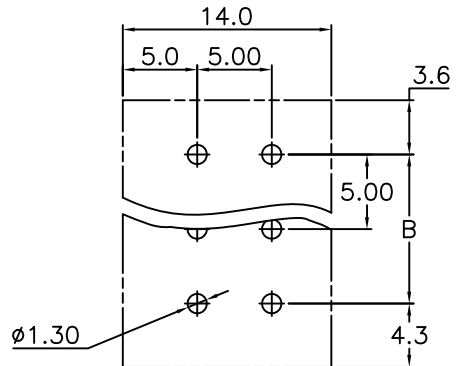


REV.	SPECIFICATION	ECN NO.	APPD.



**Material:**  
Housing: Thermoplastic Polyester UL94V-0.  
Solder Pin: Copper Alloy, Tin Plated.  
Wire Guard: Metal.

**Electrical Characteristics:**  
Voltage Rating: 300V.  
Current Rating: 15AMP.  
Solid Wire(AWG): 12~28.  
Stranded Wire(AWG): 12~28.  
Wire Strip Length: 6~7mm.  
Withstanding Voltage: 1.6KV.  
Operating Temperature: -40°C~+115°C  
**\*RoHS Compliant**



P.C. Board Layout

8935- F 140191 Y xx S B  
Series F:Pitch 5.0mm Manufacturing Code Y:Grey B:Black G:Green No. of Positions S:Straight B:Box Package

Position	2 Thre 24
Dimension	
A	No. of PositionsX5.0+1.0
B	(No. of Positions-1)X5.0

Tolerances	Dwg. No.	8935D02008
X= ±0.50	Projection	
.X= ±0.30	Unit	mm
.XX= ±0.15	Scale	1:1
	Drawn By	Vic Lyu01/08'15

Title:  
8935 Series  
5.0mm Terminal Block  
(8000-XXTS32-09)

**OUPIIN**  
**OUPIIN ELECTRONIC(KUNSHAN) CO., LTD.**  
P/N: 8935-F140191YxxSB

SHEET	1/1	Ver.No.	X1
-------	-----	---------	----