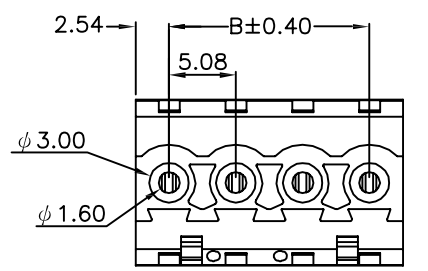
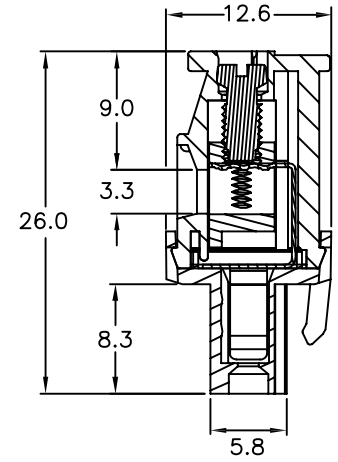
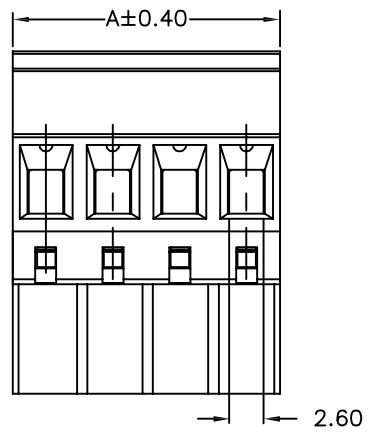
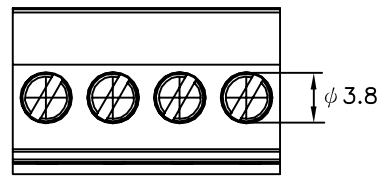


REV.	SPECIFICATION	ECN NO.	APPD.



Material:

Housing: Thermoplastic Polyester UL94V-0.
 Female Contact: Copper Alloy, Tin Plated.
 Clamp: Copper Alloy, Ni Plated.
 Screw: Metal, Zinc Plated, M3.

Electrical Characteristics:

Voltage Rating: 300V
 Current Rating: 15A
 Withstanding Voltage: 1.6KV
 Solid Wire (AWG): 12-24
 Stranded Wire (AWG): 12-24
 Torque: 3.5Lb-In / 0.5Nm / 0.56Nm
 Wire Strip Length: 6-7mm
 Operating Temperature: -40°C ~ +115°C

***RoHS Compliant**

8933- G 126260 G AA CF xx B
 Series G: Pitch Manufacturing G: Green AA: Slotted CF: W/O No. of B: Bulk Package for 2~4Pos.
 5.08mm Code B: Black "—" Screw Flange Positions Box Package for 5~24Pos.
 Y: Grey Right Hook
 U: Blue

Position	2 Thru 24
Dimension	
A	No. of Positions * 5.08
B	(No. of Positions - 1) * 5.08

Tolerances	Dwg. No.	8933D02005	Title:		OUPIN OUPIN ELECTRONIC(KUNSHAN) CO., LTD. P/N: 8933-G126260GAACFxxB SHEET 1/1 Ver.No. A4
x = ±0.5	Projection		8933 Series		
.x = ±0.30	Unit	mm	Scale	1:1	
.xx = ±0.15	Drawn By	PEGGY10/15'13	0780	(8800-xxFTS11-03)	