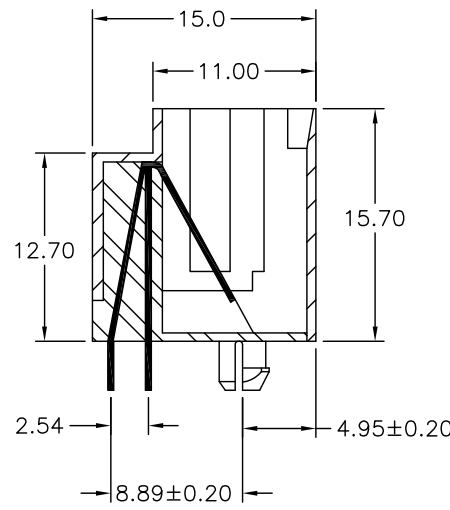
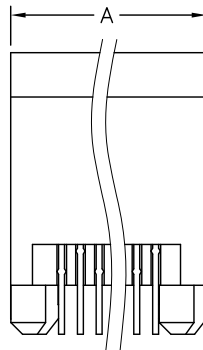
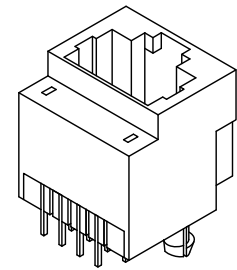
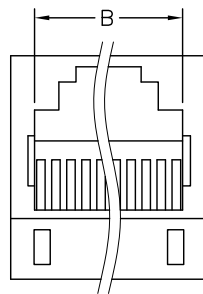


REV.	SPECIFICATION	ECN NO.	APPD.



Material:

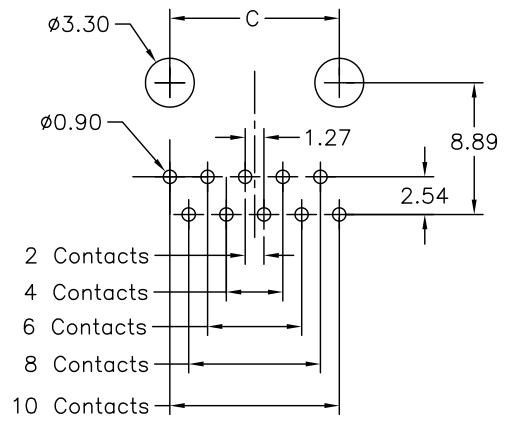
Housing: PBT, UL94V-0.
 Contacts: Phosphor Bronze. Gold Plated on Contact Area and 120μ" Tin Plated on solder tail over Nickel 35μ".

Electrical Characteristics:

Voltage Rating: 125V.
 Current Rating: 1.5 AMP.
 Dielectric Withstanding Voltage: AC 1000V for 1 minute.
 Insulation Resistance: 500MΩ min. at DC 500V.
 Contact Resistance: 30mΩ max. at DC 100mA.
 Operating Temperature: -40°C~+85°C.

Mechanical Characteristics:

Durability: 750 Cycles.
***RoHS Compliant**



P.C. Board Layout

8949-H3	x	x	-06
Series	10: 10 Position	10: 10 Contacts	06: 0 6 μ" Gold Plated
	8: 8 Position	8: 8 Contacts	15: 15 μ" Gold Plated
	6: 6 Position	6: 6 Contacts	30: 30 μ" Gold Plated
	4: 4 Position	4: 4 Contacts	50: 50 μ" Gold Plated
		2: 2 Contacts	

B **N** **A**
 B: Black N: W/O Flange A: Tray Package
 G: Green
 R: Red

No. of Position	No. of contacts	Dimension		
		A	B	C
4	2/4	11.20	7.90	7.62
6	2/4/6	13.20	10.00	10.16
8	8	15.20	11.80	11.43
10	10	15.20	11.80	11.43

Tolerances	Dwg. No.	8949D02129		Title:
x = ±0.5	Projection	⊕ ◀		8949-H3 Series Modular Jack
.x = ±0.25	Unit mm	Scale	1:1	
.xx = ±0.15	Drawn By	bo-min9/28'18		

⑦ 773

OUPIN
OUPIN ELECTRONIC(KUNSHAN) CO., LTD.
 P/N: 8949-H3xx-06BNA
 SHEET 1/1 Ver.No. A5