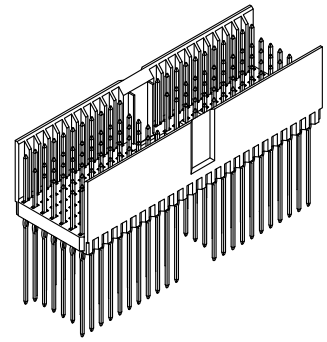
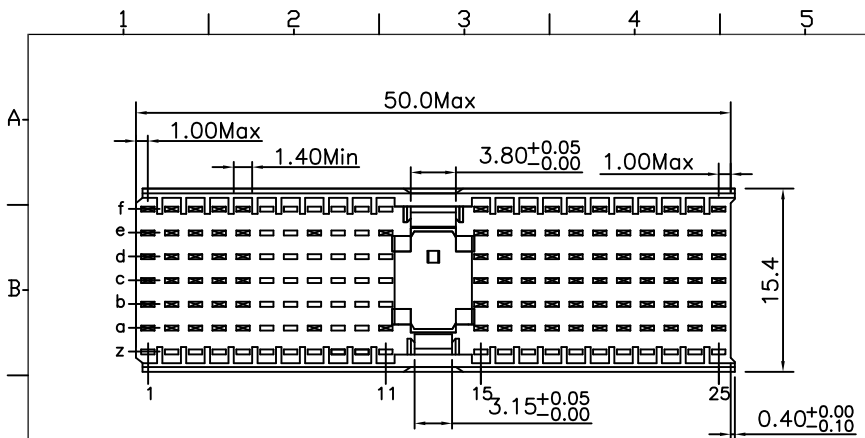


|      |               |         |       |
|------|---------------|---------|-------|
| REV. | SPECIFICATION | ECN NO. | APPD. |
| R1   |               |         |       |



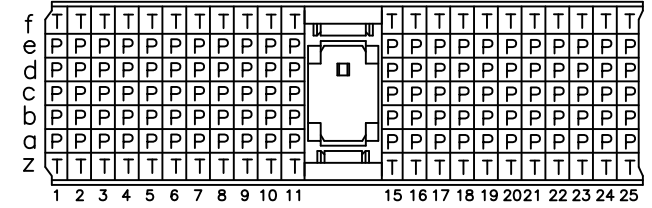
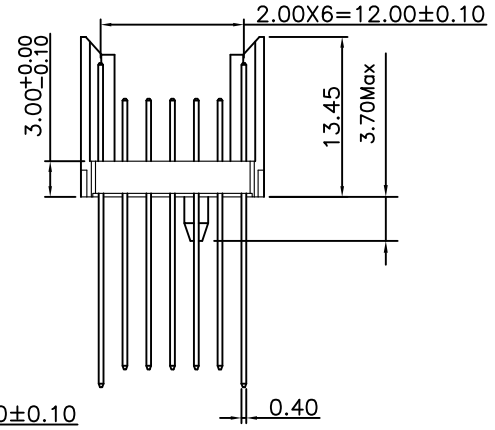
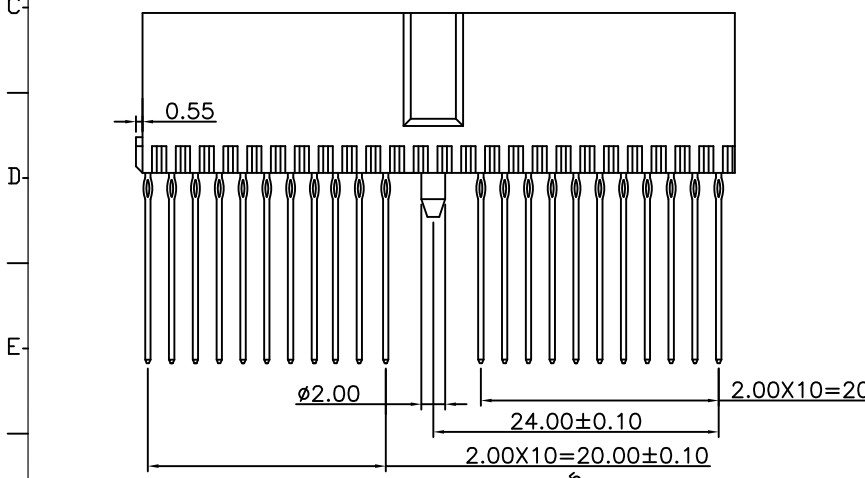
**Material:**

Housing: Thermoplastic Polyester Glass Filled UL94V-0  
 Contacts: Copper Alloy.

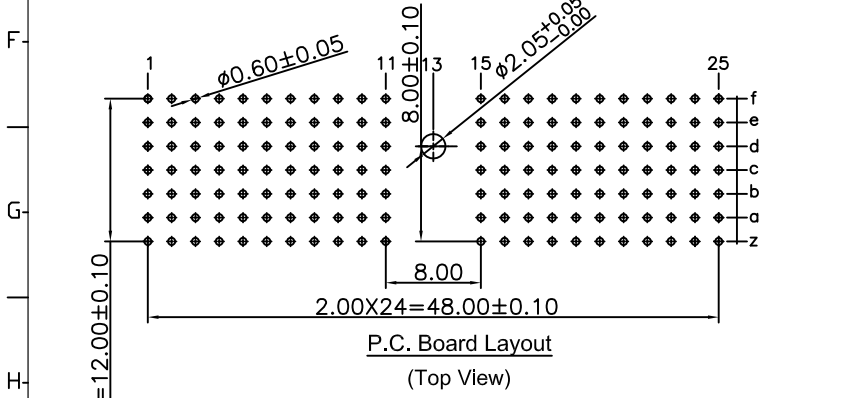
**Electrical Characteristics:**

Current Rating: 1 AMP.  
 Dielectric Withstanding Voltage: AC 750V For 1 minute.  
 Insulator Resistance: 10000MΩ min.at DC 500V.  
 Contact Resistance: 20mΩ max.at DC 100mA.  
 Operating Temperature: -55°C ~ +125°C.

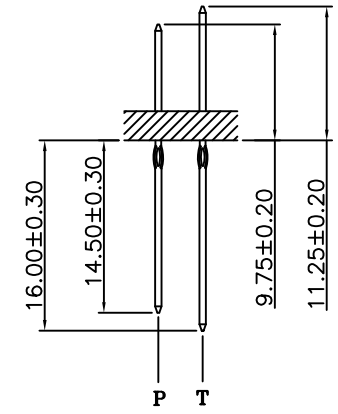
**\*RoHS Compliant**



CONTACT LAYOUT



9111- 7 1 A 154 H C 10 U  
 Series: 9111-  
 7: 7 Row  
 1: 1 Male  
 A: Type A  
 Housing Type: A  
 H: H Option  
 C: Dip Tin  
 Contact Gold  
 U: Tube Package  
 10: 10mm  
 30: 30mm



|             |            |                 |                       |             |
|-------------|------------|-----------------|-----------------------|-------------|
| Tolerances  | Dwg. No.   | 9111D71018      | Title:                | 9111 Series |
| x = ±0.5    | Projection |                 | Hard Metric Connector |             |
| .x = ±0.25  | Unit       | mm              | Scale                 | 1:1         |
| .xx = ±0.15 | Drawn By   | Zhu QL 08/02'12 | Male Type A           |             |

9111 Series  
 Hard Metric Connector  
 Male Type A

|                                     |     |         |    |
|-------------------------------------|-----|---------|----|
| <b>OUPIN</b>                        |     |         |    |
| OUPIN ELECTRONIC(KUNSHAN) CO., LTD. |     |         |    |
| P/N: 9111-71A154HCxxU               |     |         |    |
| SHEET                               | 1/1 | Ver.No. | R1 |