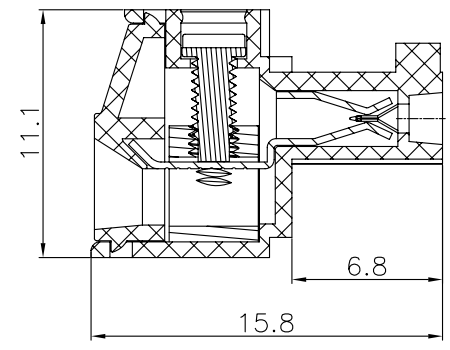
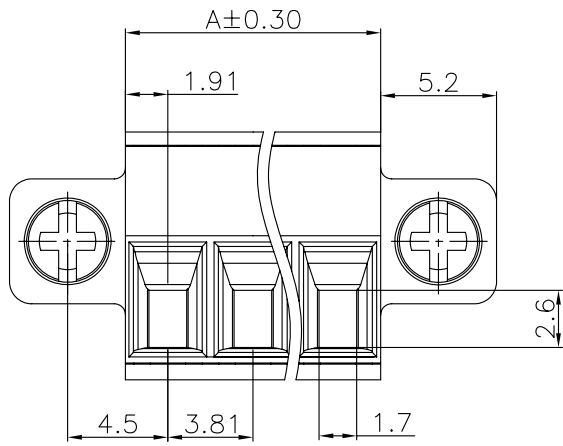
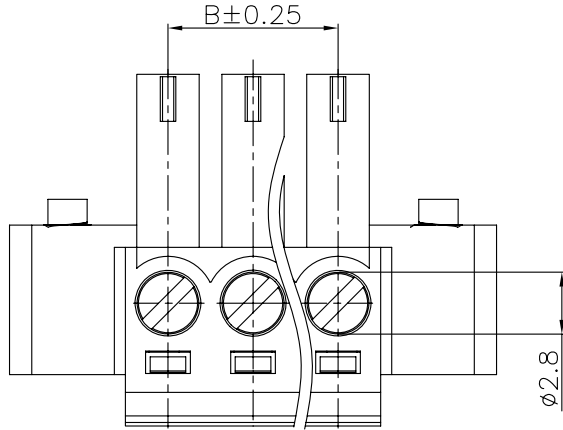


REV.	SPECIFICATION	ECN NO.	APPD.



**Material:**

Housing: Thermoplastic Polyester UL94V-0.  
 Female Contact: Copper Alloy, Tin Plated.  
 Clamp: Copper Alloy, Ni Plated.  
 Screw: Metal, Zinc Plated, M2.  
 Flage Screw: Metal, Zinc Plated, M2.5

**Electrical Characteristics:**

Voltage Rating: 300V.  
 Current Rating: 10A.  
 Solid Wire(AWG): 16~28.  
 Stranded Wire(AWG): 16~28.  
 Torque: 3Lb-in.  
 Wire Strip Length: 6-7mm.  
 Withstanding Voltage: 1.6KV.  
 Operating Temperature: -40°C ~+115°C.

**\*RoHS Compliant**

**8933-D 11158**  
 Series D: Pitch 3.81mm Manufacturing Code  
**G AA CA xx B**  
 G: Green AA: Slotted CA: With Flange xx: No. of Position B: Bulk  
 B: Black "-" Screw  
 Y: Grey  
 U: Blue

Position	2 Thru 24
Dimension	
A	No. of Positions X3.81
B	(No. of Positions-1) X3.81

<b>Tolerances</b>	<b>Dwg. No.</b>	8933D02010
x = ±0.5	<b>Projection</b>	
.x = ±0.30	<b>Unit</b>	mm
.xx = ±0.15	<b>Scale</b>	1:1
	<b>Drawn By</b>	Xi MM04/24'13

**Title:**  
 8933 Series  
 3.81mm Terminal Block  
 (8100-xxFTR11-03)

**OUPIN**  
**OUPIN ELECTRONIC(KUNSHAN) CO., LTD.**  
**P/N: 8933-D111158GAACxxB**

<b>SHEET</b>	1/1	<b>Ver.No.</b>	A1
--------------	-----	----------------	----

0780