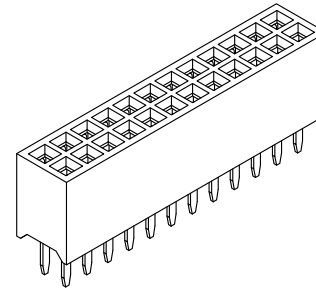
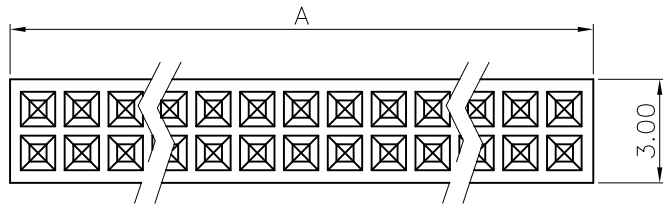


REV.	SPECIFICATION	ECN NO.	APPD.
R4		ECN160435	



Material and Plating:

Housing: LCP, 30% Glass Filled, UL94V-0, BLACK.

Signal Contacts: Phosphor Bronze.

Gold flash plated on Contact Area and 80~160u"

Tin Plated on Solder Tail over nickel 50-120u" under plated.

Electrical Characteristics:

Current Rating: 1 AMP.

Dielectric Withstanding Voltage: AC 500V for 1 minute.

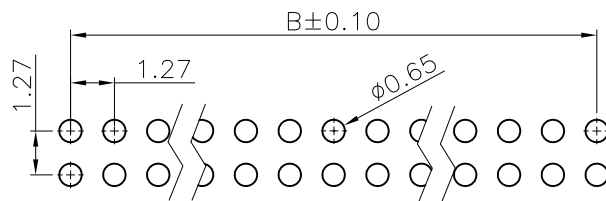
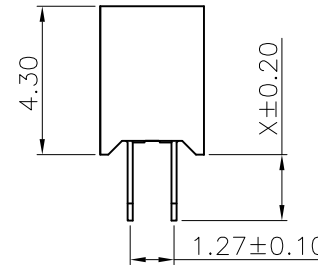
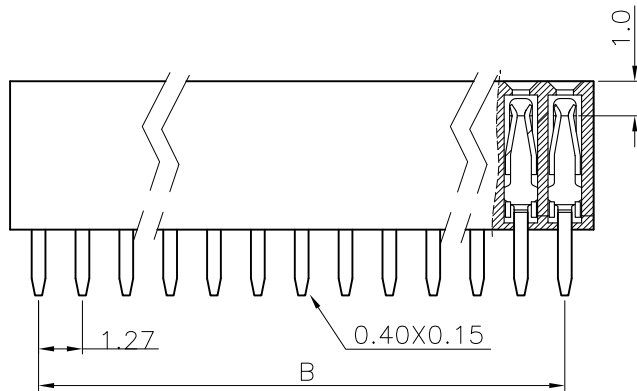
Insulator Resistance: 1000MΩ min. at DC 500V.

Contact Resistance: 20mΩ max. at DC 100mA.

Operating Temperature: -65°C~+125°C.

***RoHS Compliant**

Insertion Depth: 2.00mm to 3.00mm



P.C. Board Layout
(Tolerance: ±0.05mm)

2242- 2 X xx C xx S x U
 Series ——— 2 X xx C xx S x U
 Double Row ———
 No. of Pin Per Row ———
 C: Selective Gold Plated
 G: Gold Plated
 00: G/F
 10: 10μ"
 15: 15μ"
 30: 30μ"
 U: Tube Package
 1: 3.05mm
 2: 1.91mm
 S: Straight

X	1	2
Length	3.05	1.91
Position	6 Thru 100	
Dimension		
A	1.27 X No. of Positions/2 +0.40	
B	1.27 X No. of Positions/2 -1.27	

Tolerances	Dwg. No.	2242D02004
x = ±0.50	Projection	⊕ ↗
.x = ±0.25	Unit	mm
.xx = ±0.15	Scale	1:1
	Drawn By	NWJ 04/15'16

Title: 2242 Series
 P.C.B. Socket
 1.27mmX1.27mm

OUPIN			
OUPIN ELECTRONIC(KUNSHAN) CO., LTD.			
P/N: 2242-2XxxCxxSxU			
SHEET	1/1	Ver.No.	R4