

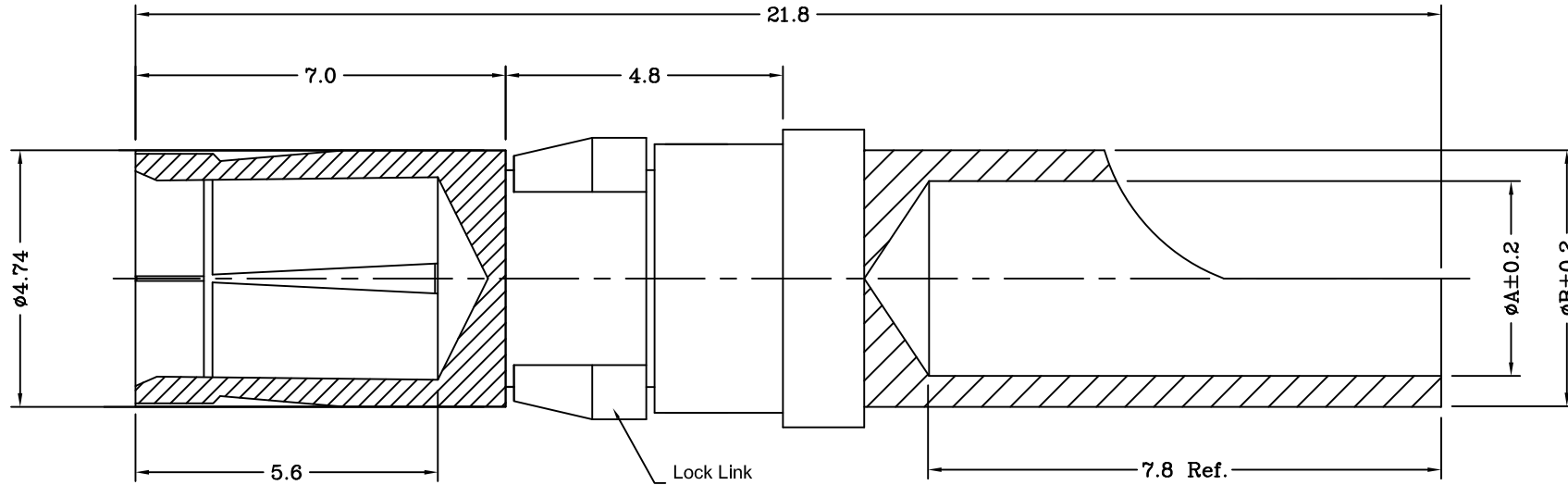
REV.	SPECIFICATION	ECN NO.	APPD.

Material:

Contact: Copper Alloy With Gold Plated.

Lock Link: Copper Alloy With Nickel Plated.

***RoHS Compliant**



LB-
Power Pin

F
F: Female

E
E: Solder Type

xx
40: 40A
30: 30A
20: 20A
10: 10A

01
Pin Type

G
G: Gold Plated

xx
00: G/F
10: 10 μ"
15: 15 μ"
20: 20 μ"
30: 30 μ"

B
B: Bulk
Package

Current Rating (Amps)	Wire Size	Dimension	
		øA	øB
40	AWG #8	4.6	5.5
30	AWG #10	3.6	4.6
20	AWG #12	2.7	3.6
10	AWG #16	1.7	2.5

Tolerances	Dwg. No.	LB00D02004	
x = ±0.50	Projection	⊕ ⊖	
.x = ±0.25	Unit	mm	Scale 1:1
.xx = ±0.15	Drawn By	Vic Lyu12/01'15	

Title: LB Series
Power Pin Female
Solder Type

① 597

OUPIN			
OUPIN ELECTRONIC(KUNSHAN) CO., LTD.			
P/N: LB-FExx01GxxB			
SHEET	1/1	Ver.No.	A2