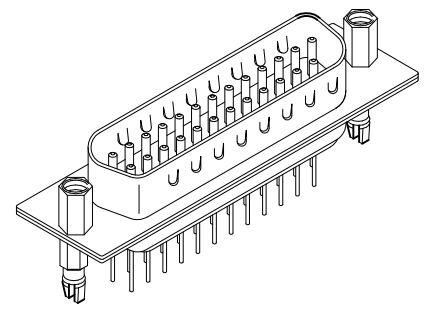
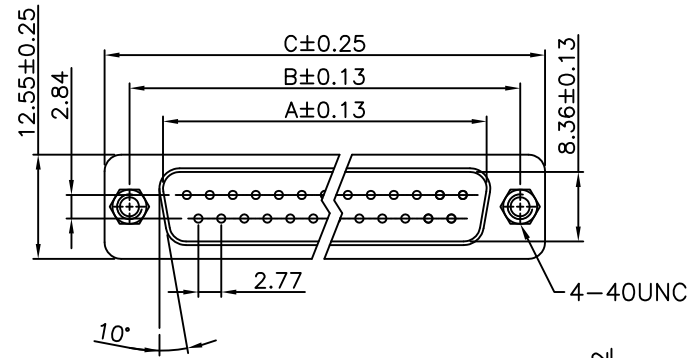
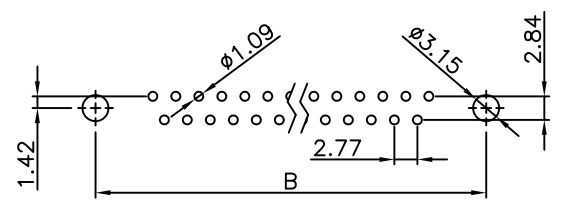
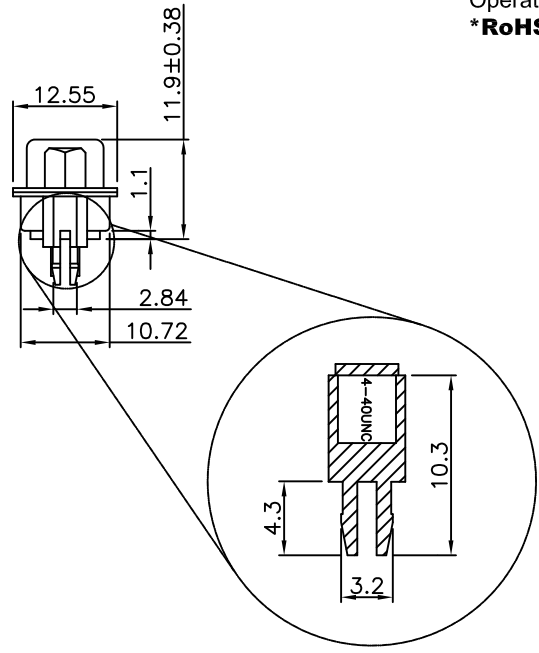
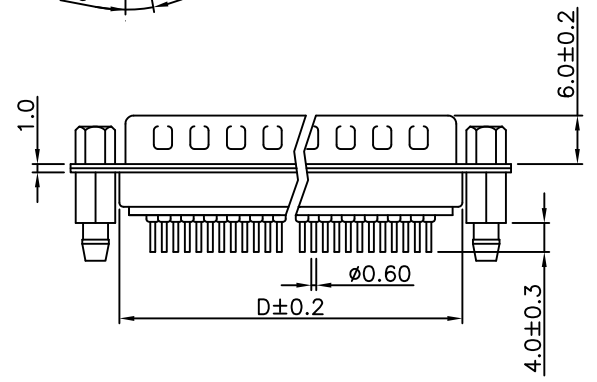


REV.	SPECIFICATION	ECN NO.	APPD.



Material:
Housing: PBT, UL94V-0.
Contacts: Brass, Gold Plated over Nickel 30 u" Min.
Shell: Steel.

Electrical Characteristics:
Current Rating: 1 AMP.
Dielectric Withstanding Voltage: AC 1000V For 1 minute.
Insulation Resistance: 1000MΩ min. at DC 500V.
Contact Resistance: 20mΩ max. at DC 100mA.
Operating Temperature: -55°C~+105°C.
***RoHS Compliant**



P.C. Board Layout

7905- xx M T B G 00 N3N6 A

Series ———
Positions ———
M: Male ———
U: Blue ———
B: Black ———
W: White ———

————— A: Tray Package
————— N3N6: With 4-40UNC Thread
Riveted Brackets And
Jack Screws Assembled
————— 00:G/F
————— G:Gold Plated

Position	Dimension			
	A	B	C	D
9	16.92	24.99	30.81	19.28
15	25.25	33.32	39.14	27.51
25	38.96	47.04	53.04	41.30
37	55.42	63.50	69.32	57.71

Tolerances	Dwg. No.	7905D01004	Title:
x = ±0.5	Projection		7905 Series D-SUB Straight Type
.x = ±0.25	Unit	mm	
.xx = ±0.15	Scale	1:1	
	Drawn By	Lucas 12/01'17	

① 767

OUPIIN
OUPIIN ELECTRONIC(KUNSHAN) CO., LTD.
P/N: 7905-xxMTBG00N3N6A

SHEET	1/1	Ver.No.	A9
-------	-----	---------	----