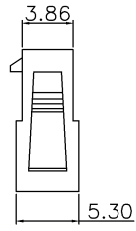
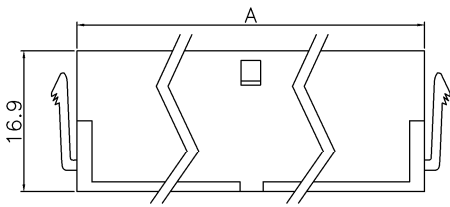
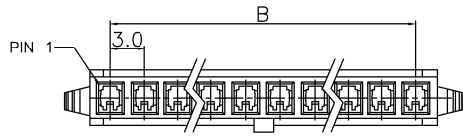
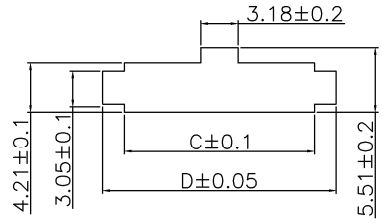
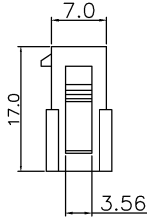
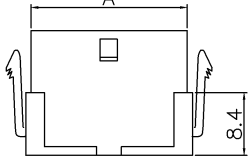
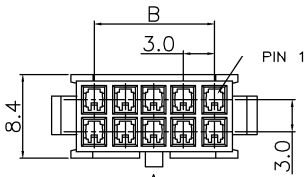


REV.	SPECIFICATION	ECN NO.	APPD.

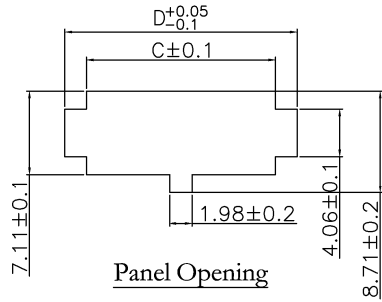
4976-1XxxFHB



4976-2XxxFHB

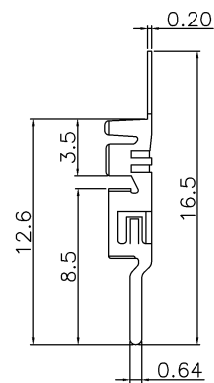
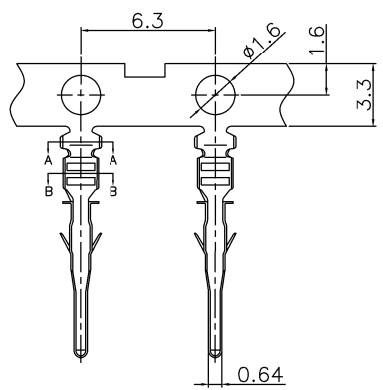


Panel Opening



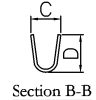
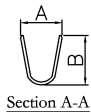
Panel Opening

4976-PIN-MTx-10K



4976 - x X xx F H B
 Series 1:Single Row 2:Double Row No. of Pin F:Female H:Housing B:Bulk Package Per Row

4976 - Pin M Tx - 10K
 Series M:Male T1:Wire Range 20-24AWG 10K:10K Pins Per Reel T2:Wire Range 26-30AWG



Material:

Housing: Thermoplastic Polyester UL94V-0.
 Contacts : Copper Alloy.

Electrical Characteristics:

Current Rating:

Wire size	#20	#22	#24	#26	#28	#30
Ampere	5A	5A	4A	3A	2A	1A

Dielectric Withstanding Voltage: 1500V AC.

Voltage Rating: 250V DC/AC RMS.

Insulator Resistance: 1000MΩ min.

Contact Resistance: 10mΩ max.

Operating Temperature: -25°C ~+85°C.

***RoHS Compliant**

4976-1XxxFHB	
Position	2 Thru 12
Dimension	
A	3.0 X No. of Positions+0.85
B	3.0 X (No. of Positions-1)
C	3.0 X No. of Positions+1.21
D	3.0 X No. of Positions+4.9
4976-2XxxFHB	
Position	2 Thru 24
Dimension	
A	3.0 X No. of Positions/2+1.0
B	3.0 X (No. of Positions/2-1)
C	3.0 X No. of Positions+1.21
D	3.0 X No. of Positions+4.9
4976-PIN-MTx-10K	
Wire Gauge	Type A B C D
26AWG-30AWG	T2 2.4 1.9 1.8 1.6
20AWG-24AWG	T1 2.7 2.4 2.1 2.1

Tolerances	Dwg No.	4976D02001
x = ±0.5	Projection	⊕ ⊖
.x = ±0.45	Unit	mm
.xx = ±0.25	Scale	1:1
	Drawn By	Peegy 03/12'13

Title:
 4976 Series
 Housing & Terminal
 732

OUPIIN
OUPIIN ELECTRONIC(KUNSHAN) CO., LTD.
 P/N: 4976-xxFHB&4976-PIN-MTx-10K
 SHEET 1/1 Ver.No. B7