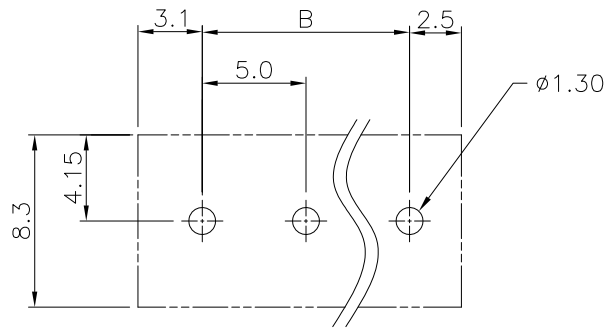
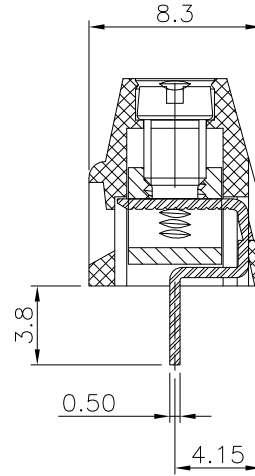
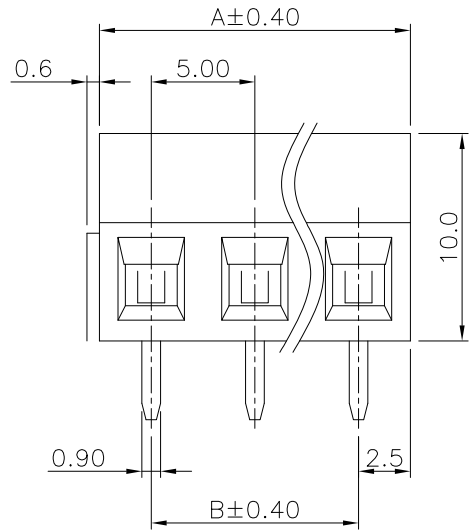
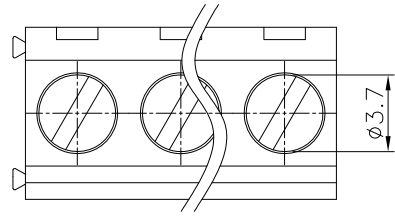


REV.	SPECIFICATION	ECN NO.	APPD.



P.C. Board Layout

8932- F 083100 G AA xx S B  
 Series F:Pitch 5.0mm Manufacturing Code  
 G:Green B:Black Y:Grey U:Blue  
 B: Bulk Package S: Straight  
 No. of Positions AA: Slotted "-" Screw

**Material:**

Housing: PA66, UL94V-0.

Solder Pin: Brass, Tin Plated.

Clamp: Brass, Ni Plated.

Screw: Steel, Zinc Plated, M3.

**Electrical Characteristics:**

Voltage Rating: 300V.

Current Rating: 10 AMP.

Solid Wire(AWG): 16-26.

Stranded Wire(AWG): 16-26.

Torque: 3.5Lb-In.

Wire Strip Length: 5-6mm.

Withstanding Voltage: 1.6KV.

Operating Temperature: -40°C~+115°C.

**\*RoHS Compliant**

Position	2 Thru 24
Dimension	
A	No. of PositionsX5.0
B	(No. of Positions-1)X5.0

Tolerances	Dwg. No.	8932D02019	Title:
x = ±0.50	Projection		8932 Series
.x = ±0.25	Unit	mm	5.0mm Terminal Block
.xx = ±0.15	Scale	1:1	(Old P/N: 8500-xxTS11-04)
	Drawn By	Ping 01/11'19	①780

 OUPIN ELECTRONIC(KUNSHAN) CO., LTD. P/N: 8932-F083100GAxxSB			
SHEET	1/1	Ver.No.	A3