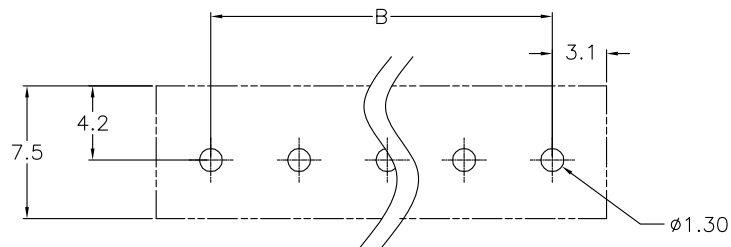
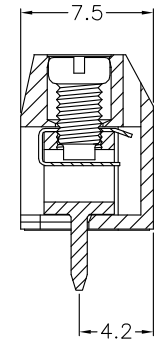
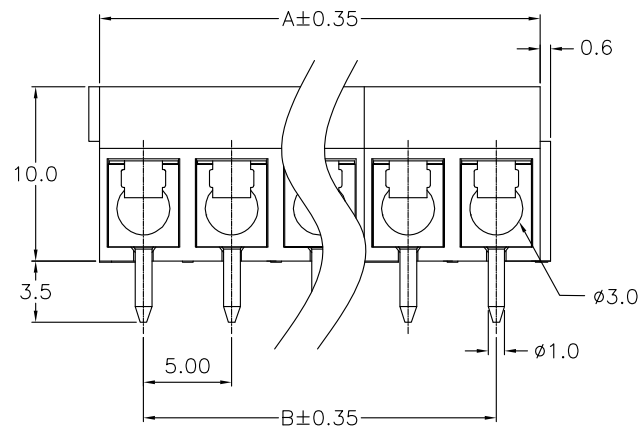
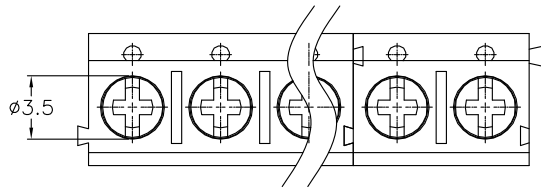


REV.	SPECIFICATION	ECN NO.	APPD.



P.C.Board Layout

Material:

Housing: Thermoplastic Polyester UL94V-0.
 Solder Pin: Copper Alloy, Tin Plated.
 Wire Guard: Metal.
 Screw: Metal, Zinc Plated, M2.6.

Electrical Characteristics:

Voltage rating: 300V
 Current rating: 15A
 Solid wire(AWG): 14-22
 Stranded wire(AWG): 14-22
 Torque(Lb-In): 2.6Lb-In
 Wire strip length: 6-7mm
 Withstanding Voltage: 1.6KV
 Operating temperature: -30°C to +105°C

***RoHS Compliant**

8931- F 075100 U AB xx S B
 Series F:Pitch 5.0mm Manufacturing Code U:Blue G:Green B:Black Y:Grey AB:Combination "+" Screw No. of Positions xx S:Straight B:Bulk Package for 2~4 Pos. Box Package for 5~24 Pos.

Position	02 Thru 24
Dimension	
A	No. of Positions * 5.0
B	(No. of Positions - 1) * 5.0

Tolerances	Dwg. No.	8931D02001
x = ±0.5	Projection	
.x = ±0.30	Unit	mm
.xx = ±0.15	Scale	1:1
	Drawn By	Doris12/16'16

Title:
 8931 Series
 5.0mm Terminal Block
 (8500-xxTS40-02)
 780

OUPIN
 OUPIN ELECTRONIC(KUNSHAN) CO., LTD.
 P/N: 8931-F075100UABxxSB
 SHEET 1/1 Ver.No. A5