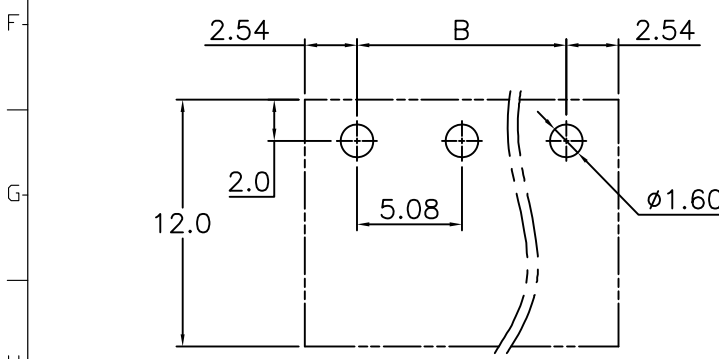
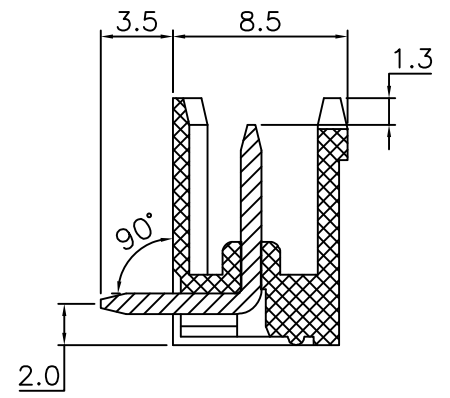
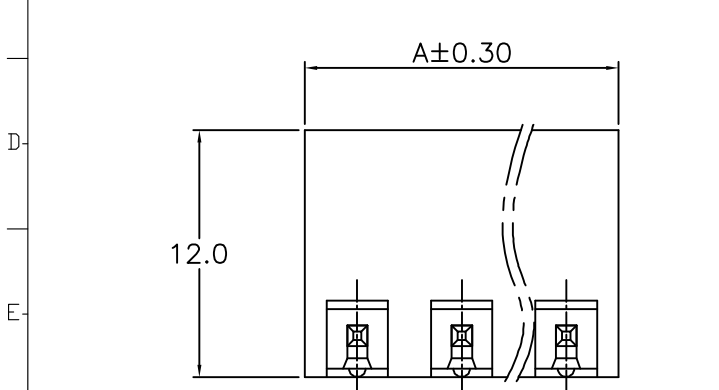
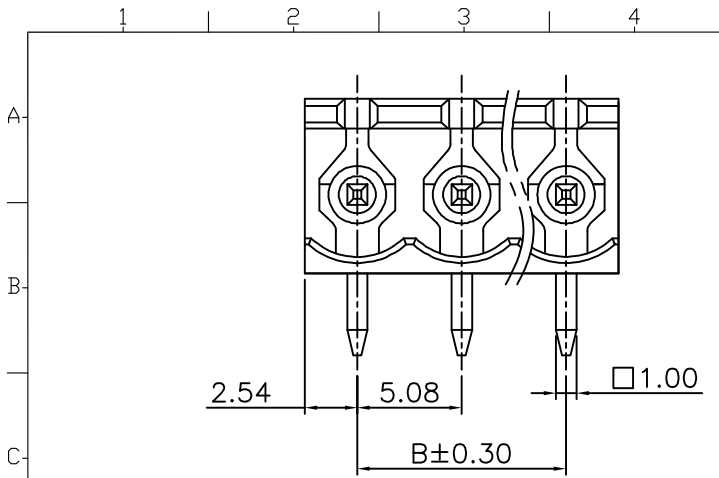


REV.	SPECIFICATION	ECN NO.	APPD.

Material:
Housing: Thermoplastic Polyester Glass Filled UL94V-0.
Contact Pin: Copper Alloy, Tin Plated.

Electrical Characteristics:
Voltage Rating: 300V.
Current Rating: 20A.
Withstanding Voltage: 1.6KV.
Operating Temperature: -40°C~+115°C.
***RoHS Compliant**



P.C. Board Layout

8930- G 085120 G BB xx R B
Series G:Pitch Manufacturing G:Green BB:Open Type No. of R:Right B:Bulk
5.08mm Code Y:Grey Package
U:Blue

Position	2 Thru 24
Dimension	
A	No. of PositionsX5.08
B	(No. of Positions-1)X5.08

Tolerances	Dwg. No.	8930D01027	Title:	
x = ±0.50	Projection	\oplus \triangleleft	8930 Series	
.x = ±0.30	Unit	mm	5.08mm Terminal Block	
.xx = ±0.15	Scale	1:1	(8800-xxMTR12-01)	
	Drawn By	Vic Lyu01/06'15	① 780	

8930 Series
5.08mm Terminal Block
(8800-xxMTR12-01)

OUPIN			
OUPIN ELECTRONIC(KUNSHAN) CO., LTD.			
P/N: 8930-G085120GBBxxRB			
SHEET	1/1	Ver.No.	X1