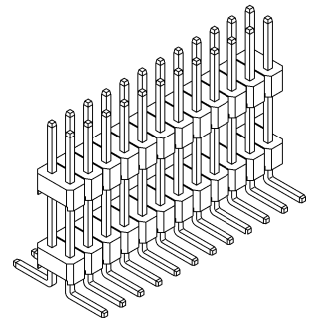
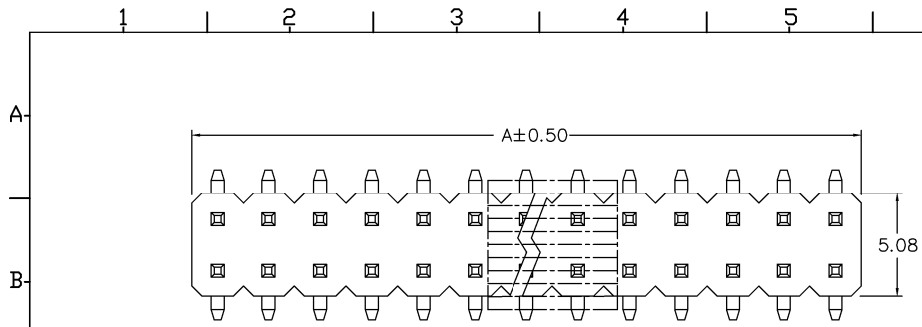


REV.	SPECIFICATION	ECN NO.	APPD.



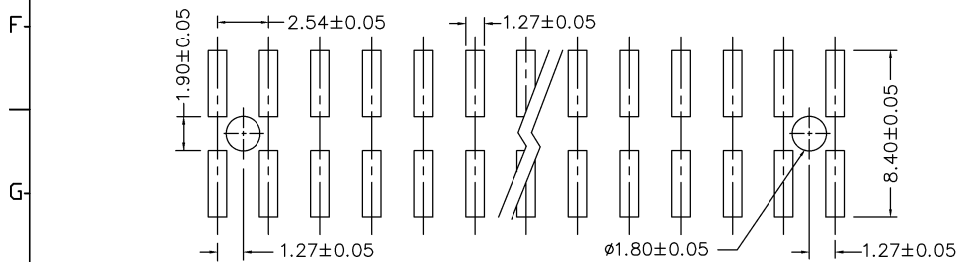
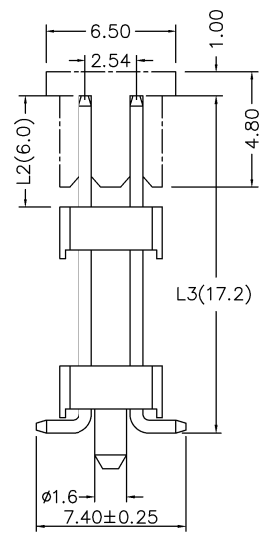
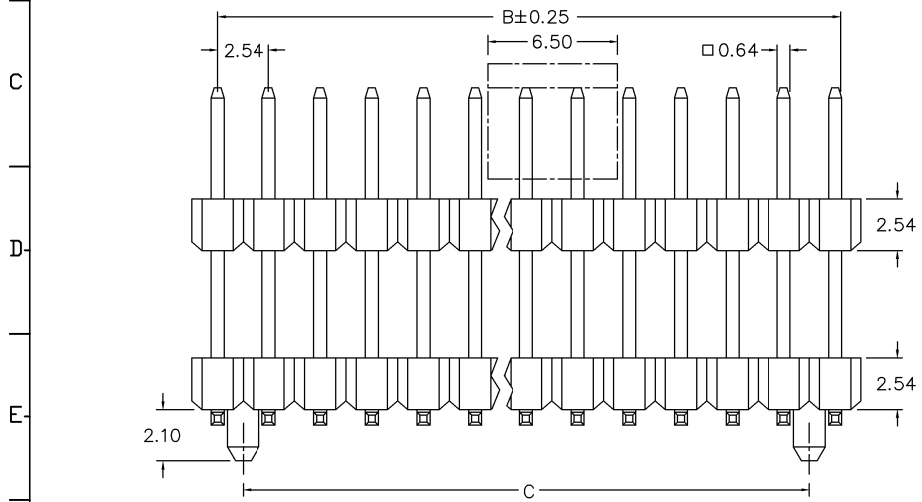
Material:

Housing: PA6T, UL94V-0, Black.
 Contacts: Brass, Gold Plated over Nickel 50u".

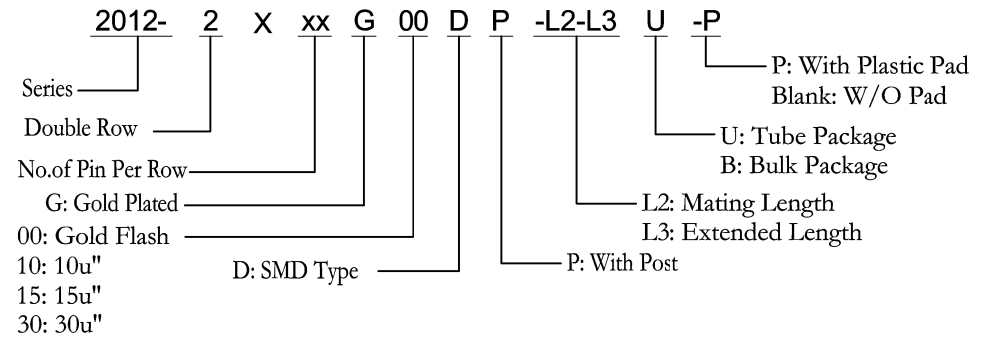
Electrical Characteristics:

Current Rating: 2 AMP.
 Insulator Resistance: 1000MΩ min. at DC 500V.
 Contact Resistance: 20mΩ max. at DC 100mA.
 Operating Temperature: -40°C~+105°C.

***RoHS Compliant**



P.C.Board Layout



Positions	4 Thru 80
Dimension	
A	2.54 X No. of Positions/2
B	2.54 X No. of Positions/2-2.54
C	2.54 X No. of Positions/2-5.08

Tolerances	Dwg. No.	2012D01017	Title:	
x = ±0.5	Projection		2012 Series	
.x = ±0.25	Unit	mm	Scale	SCALE
.xx = ±0.15	Drawn By	Emma 09/11'20	2.54mmX2.54mm	Dual Insulator SMD Type

OUPIIN ELECTRONIC(KUNSHAN) CO., LTD.			
P/N: 2012-2XxxG00DP-L2-L3U-P			
SHEET	1/1	Ver.No.	A5