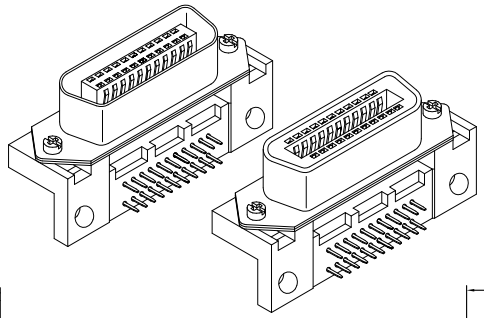


REV.	SPECIFICATION	ECN NO.	APPD.



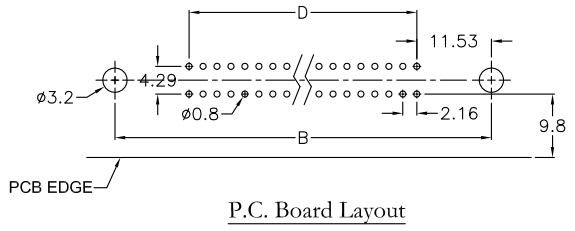
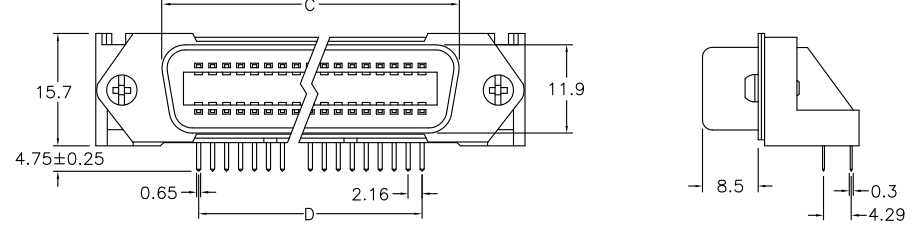
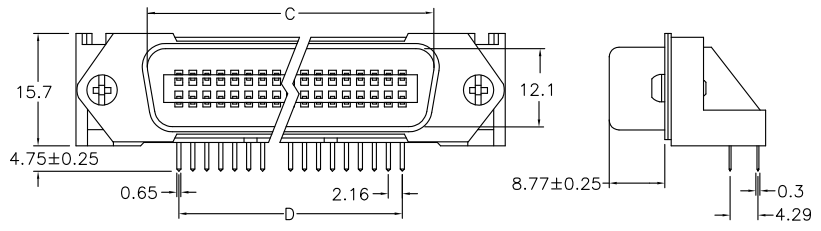
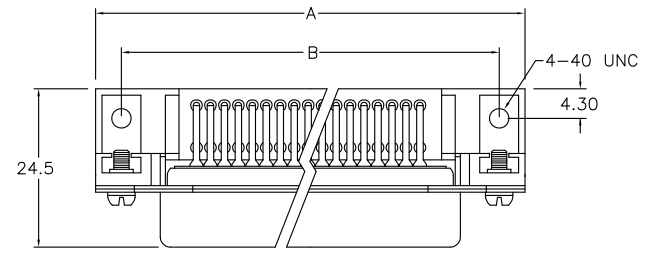
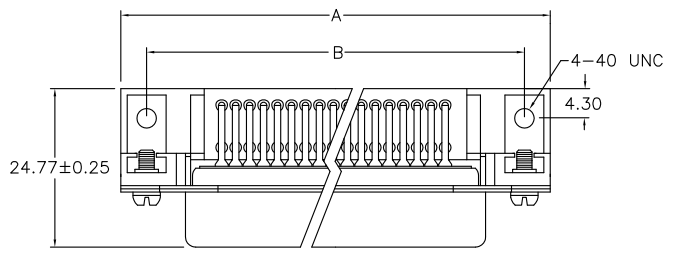
Material:
Housing: Thermoplastic Polyester Glass Filled UL94V-0.
Contacts: Copper Alloy.
Shell: Cold Roller Steel.

Electrical Characteristics:
Current Rating: 5 AMP.
Dielectric Withstanding Voltage: AC 1000V For 1 minute.
Insulator Resistance: 1000MΩ min. at DC 500V.
Contact Resistance: 30mΩmax. at DC 100 m A.
Operating Temperature: -55°C~+105°C.

***RoHS Compliant**

10 Male

20 Female



5973- **10** **xx0** **A**
Series 10: Male 140: 14 Pin A: Tray Package
 20: Female 240: 24 Pin
 360: 36 Pin
 500: 50 Pin

Position	A	B	C		D
			10 Male	20 Female	
14	43.9	36.0	25.6	25.2	12.96
24	54.7	46.8	36.3	36.0	23.76
36	67.7	59.6	49.3	48.9	36.72
50	82.8	74.9	64.4	64.1	51.84

Tolerances	Dwg. No.	5973D03001		Title:	
x = ±0.5	Projection	⊕ ↗		5973 Series Centornic Connector Right Angle Type	
.x = ±0.30	Unit	mm	Scale		1:1
.xx = ±0.20	Drawn By	ZJJ 06/05'12			

①522

OUPIN
OUPIN ELECTRONIC(KUNSHAN) CO., LTD.
P/N: 5973-10xx0A&5973-20xx0A

SHEET	1/1	Ver.No.	A6
-------	-----	---------	----