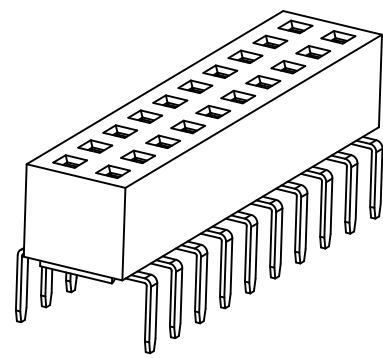
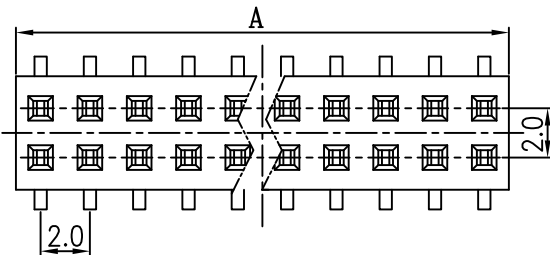


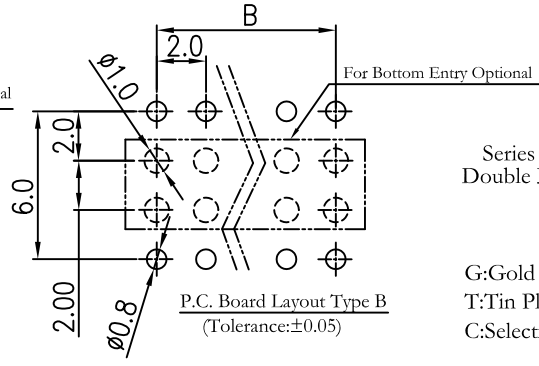
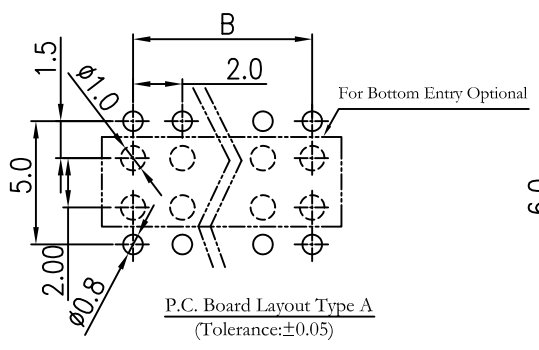
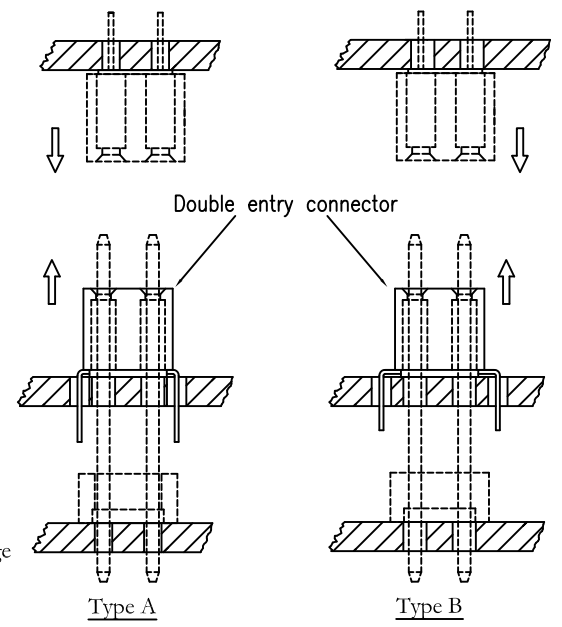
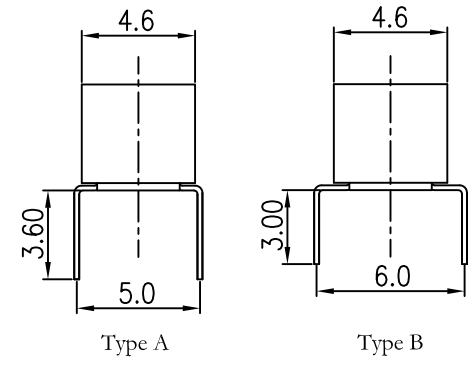
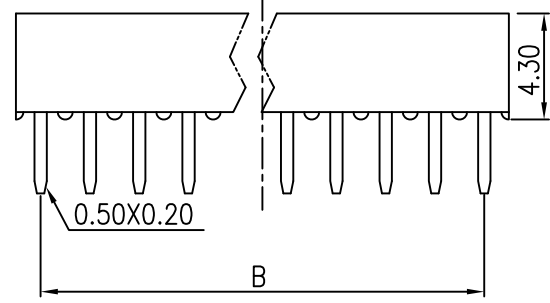
REV.	SPECIFICATION	ECN NO.	APPD.
R2		ECN130744	



Material:
Housing: High Temperature Plastic UL94V-0.
Contacts: Copper Alloy.

Electrical Characteristics:
Current Rating: 1 AMP.
Dielectric Withstanding Voltage: AC 500V For 1 Minute.
Insulation Resistance: 1000MΩ min. at DC 500V.
Contact Resistance: 20mΩ max. at DC 100mA.
Operating Temperature: -65°C~+125°C

***RoHS Compliant**
Insertion Depth: 2.20mm to 3.80mm.
Bottom Entry Insertion Depth: 4.05mm min.
 (Excluding PCB Thickness).



Series: 2148-
 Double Row: 2 X
 No. of Pin Per Row: xx G xx x U
 U: Tube Package
 A: 2.0mmX5.0mm
 B: 2.0mmX6.0mm
 G: Gold Plated
 T: Tin Plated
 C: Selective Gold Plated
 00: G/F
 10: 10μ"
 15: 15μ"
 30: 30μ"

Position	6 Thru 80
Dimension	
A	2.0xNo. of Positions/2
B	2.0xNo. of Positions/2-2.0

Tolerances	Dwg No.	2148-D0000-002	Title:	
x = ±0.5	Projection		2148 Series	
.x = ±0.25	Unit	mm	P.C.B. Socket	
.xx = ±0.15	Scale	1:1	2.0mmX2.0mm(0.079"X0.079")	
	Drawn By	Z W 09/16'13		
			OUPIN	
			OUPIN ELECTRONIC(KUNSHAN) CO., LTD.	
			P/N: 2148-2XxxGxxxU	
			SHEET	1/1
			Ver.No.	R2