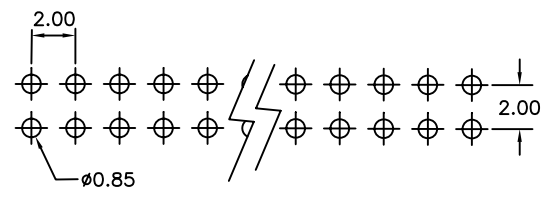
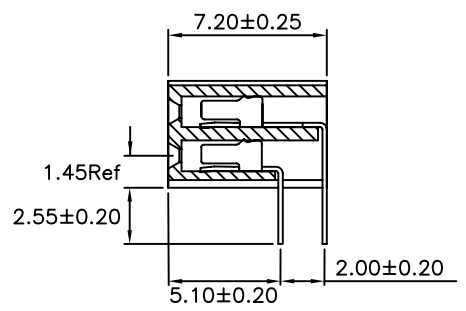
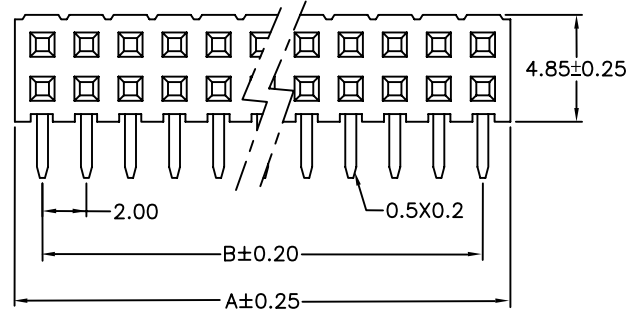
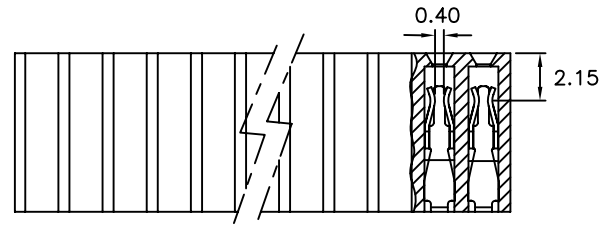


REV.	SPECIFICATION	ECN NO.	APPD.
A1			



P.C.Board Layout

2142-A 2 X xx G 00 R U  
 Series \_\_\_\_\_  
 Double Row \_\_\_\_\_  
 No. of Pin Per Row \_\_\_\_\_  
 G: Gold Plated \_\_\_\_\_  
 T: Tin Plated \_\_\_\_\_  
 U: Tube Package  
 R: Horizontal Entry  
 00:G/F

Position	4 Thru 80
Dimension	
A	2.0 X No. of Positions/2+0.5
B	2.0 X No. of Positions/2-2.0

<b>Tolerances</b> x = ±0.5 .x = ±0.25 .xx = ±0.15	<b>Drawn No.</b>	2142D02003		<b>Title:</b> 2142 Series P.C.B. Socket 2.0mmX2.0mm(0.079"X0.079")	 <b>OUPIN ELECTRONIC(KUNSHAN) CO., LTD.</b>
	<b>Projection</b>				
	<b>Unit</b>	mm	<b>Scale</b>		
	<b>Drawn By</b>	Peggy 07/15'10		① 719	<b>P/N:</b> 2142-A2XxxG00RU <b>SHEET</b> 1/1 <b>Ver.No.</b> A2

**Material:**

**Housing:** High Temperature Plastic UL94V-0.

**Contacts:** Copper Alloy.

**Electrical Characteristics:**

**Current Rating:** 2 AMP.

**Dielectric Withstanding Voltage:** AC 500V For 1 minute.

**Insulator Resistance:** 1000MΩ min. at DC 500V.

**Contact Resistance:** 20mΩ max. at DC 100mA.

**Operating Temperature:** -40°C ~+105°C .

**\*RoHS Compliant**