

REV.	SPECIFICATION	ECN NO.	APPD.
R7		ECN201215	

Material and Plating:

Housing: LCP, UL94V-0, BLACK.
 Power Contacts: High Conductivity Copper .
 30u" Au+Pd/Ni on Contact Area and 80u" Min Matte Tin
 Plated on Solder Tail over Nickel 50u" Min .

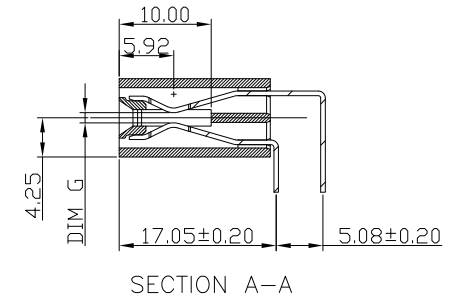
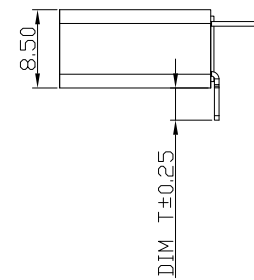
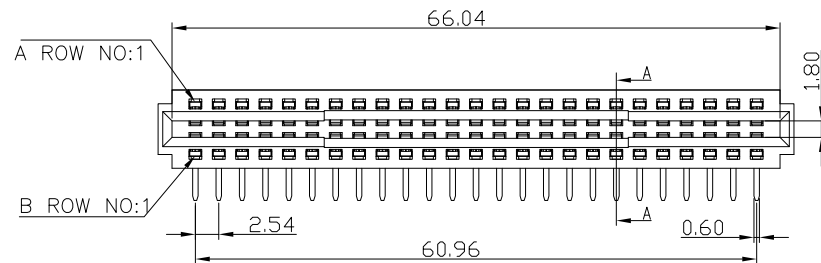
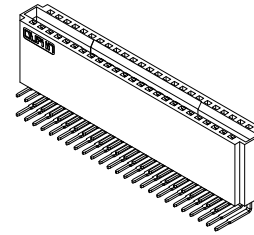
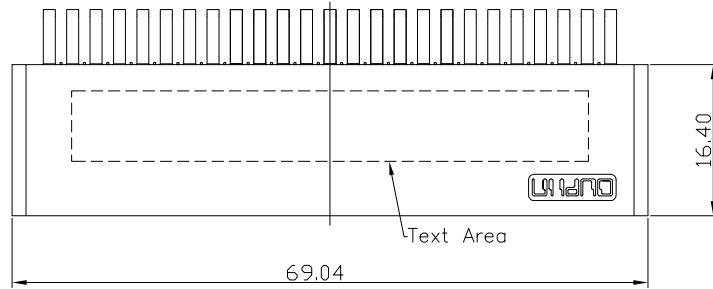
Electrical Characteristics:

Current Rating: 12.5 A(UL).
 Dielectric Withstanding Voltage: DC 1000V For 1 minute.
 Insulator Resistance: 5000MΩ min. at DC 500V.
 Contact Resistance: 10mΩ max. at DC 100mA.
 Operating Temperature: -5°C ~ +105°C .

***RoHS Compliant**

Note:

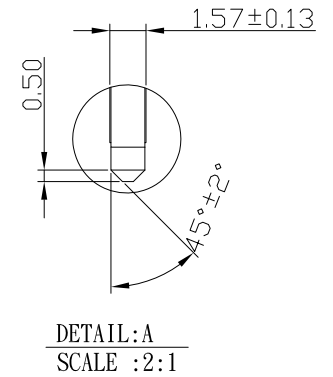
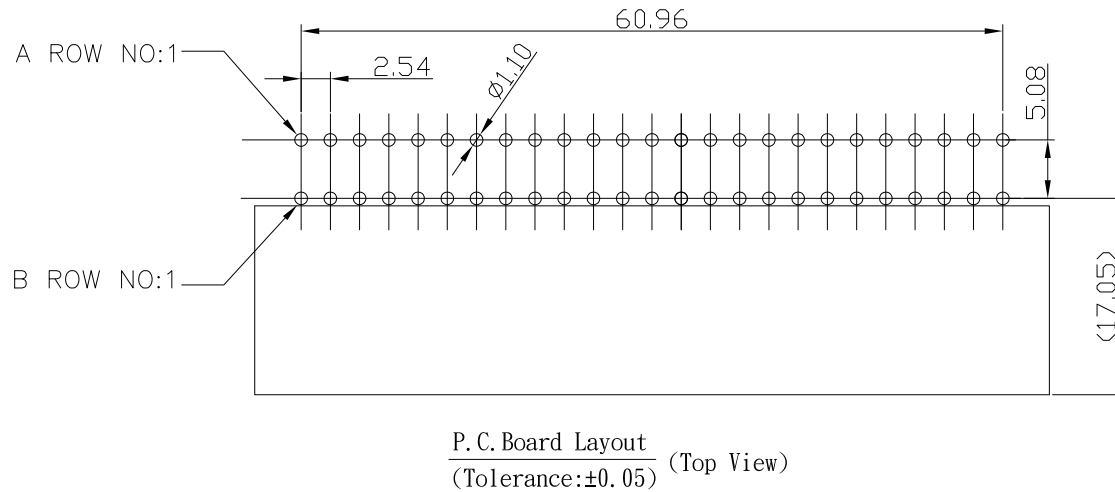
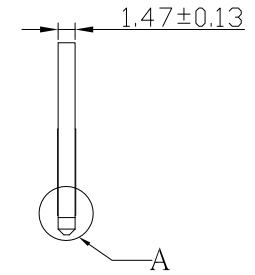
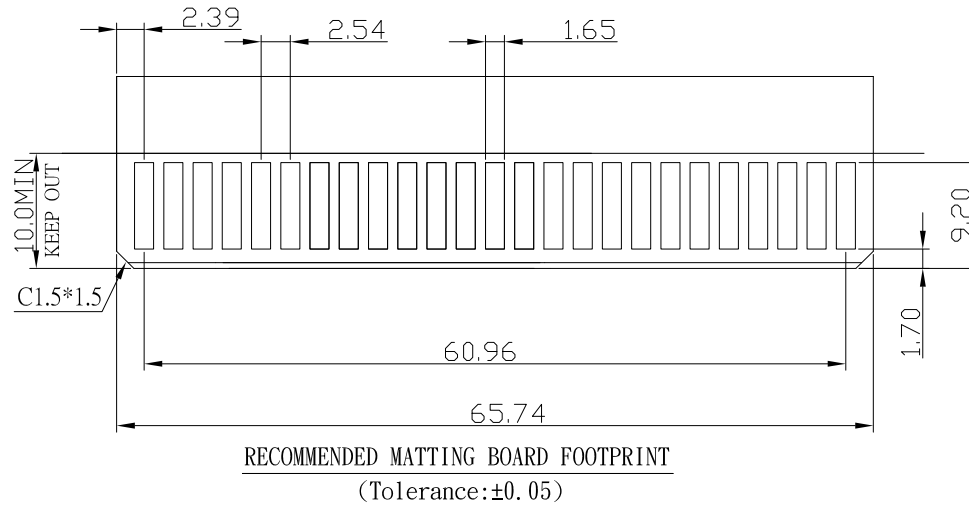
1.IR Reflow & PIP Profile: 260°C±5°C, 10s & 217°C, 60~150s


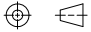


9393-F 4 P50 N X 1 A CB30 D X
 Series 4:Female Right Angle Position N:W/O Post P:With Post
 1: DIM T=3.5mm 2: DIM T=2.6mm 6: DIM T=4.2mm
 1: DIM G(GAP)=1.2mm
 T: Tape & Reel Package
 A: Tray Package
 D: Dip Type
 P: Press-Fit Type
 CB30: Contact Au+Pd/Ni, Dip Tin 30u"
 A: Power pitch 2.54
 B: Power pitch 5.08

Tolerances	Dwg. No.	9393-D0000-014	Title:		OUPIN OUPIN ELECTRONIC(KUNSHAN) CO., LTD.			
x = ±0.5	Projection		9393-F Series Power Edge Connector					
.x = ±0.25	Unit	mm			Scale	1:1	SHEET	1/2
.xx = ±0.15	Drawn By	GYJ 12/09/20'						

REV.	SPECIFICATION	ECN NO.	APPD.
R7		ECN201215	



Tolerances	Dwg. No.	9393-D0000-014	Title:		 OUPIIN ELECTRONIC(KUNSHAN) CO., LTD. P/N: 9393-F4P50NX1ACB30DX			
x = ±0.5	Projection		9393-F Series Power Edge Connector					
.x = ±0.25	Unit	mm	Scale	1:1				
.xx = ±0.15	Drawn By	GYJ 12/09/20'						