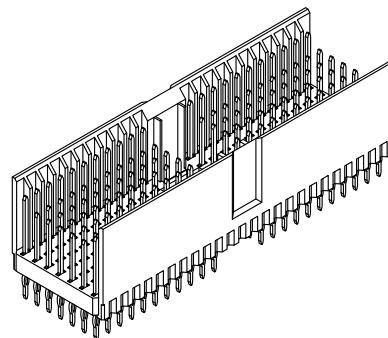
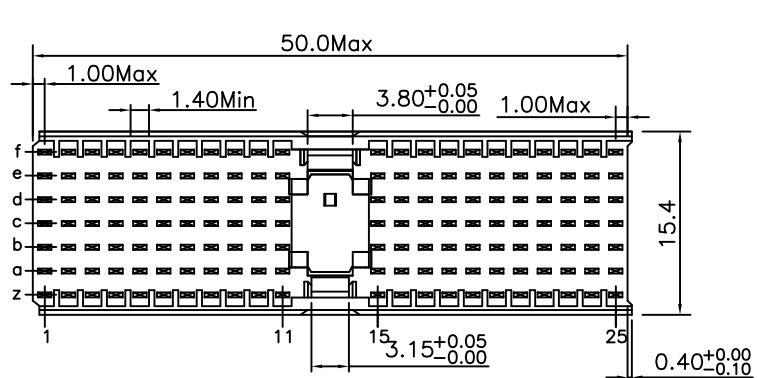


REV.	SPECIFICATION	ECN NO.	APPD.
R1			



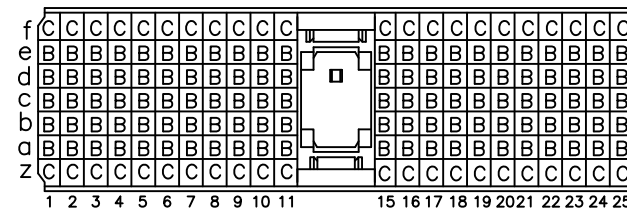
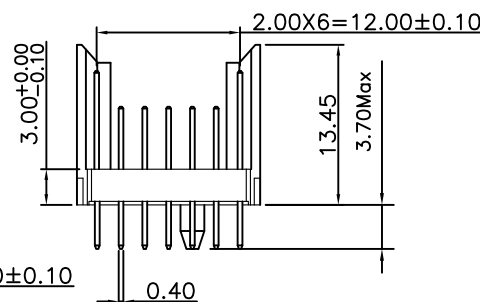
Material:

Housing: Thermoplastic Polyester Glass Filled UL94V-0
 Contacts: Copper Alloy.

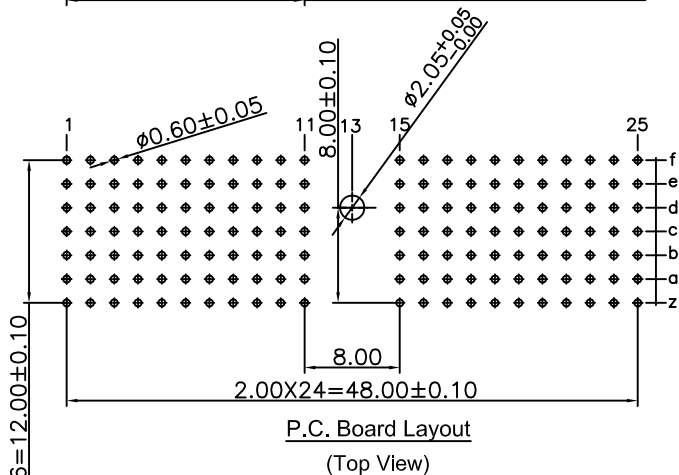
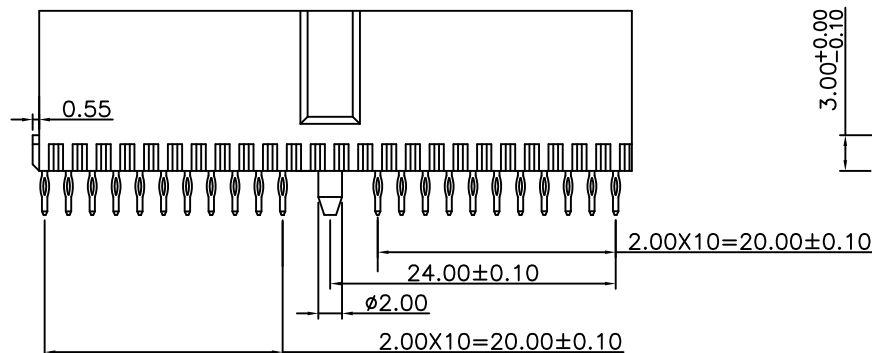
Electrical Characteristics:

Current Rating: 1 AMP.
 Dielectric Withstanding Voltage: AC 750V For 1 minute.
 Insulator Resistance: 10000MΩ min.at DC 500V.
 Contact Resistance: 20mΩ max.at DC 100mA.
 Operating Temperature: -55°C ~ +125°C.

***RoHS Compliant**

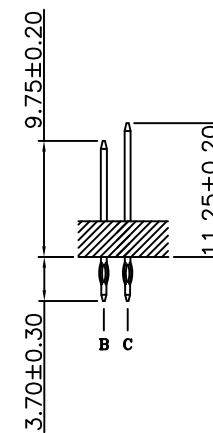


CONTACT LAYOUT



P.C. Board Layout
(Top View)

9111- 7 1 A 154 D C 10 U
 Series ————
 7Row ————
 1: Male ————
 A: Type A ————
 Housing Type ————
 D: D Option ————
 U: Tube Package
 10: 10"
 30: 30"
 C: Dip Tin
 Contact Gold



Tolerances	Dwg. No.	9111D71014	Title:
x = ±0.5	Projection	⊕ ↯	9111 Series
.x = ±0.25	Unit	mm	Hard Metric Connector
.xx = ±0.15	Drawn By	Zhu QL 07/30'12	Male Type A

Title: 9111 Series
 Hard Metric Connector
 Male Type A

OUPIN			
OUPIN ELECTRONIC(KUNSHAN) CO., LTD.			
P/N: 9111-71A154DCxxU			
SHEET	1/1	Ver.No.	R1