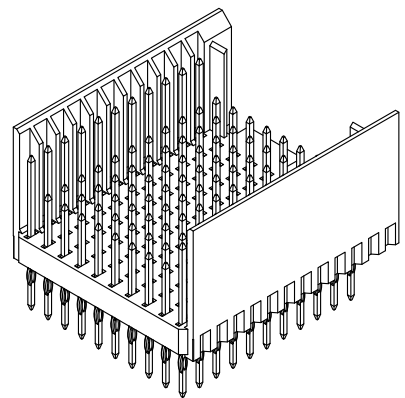
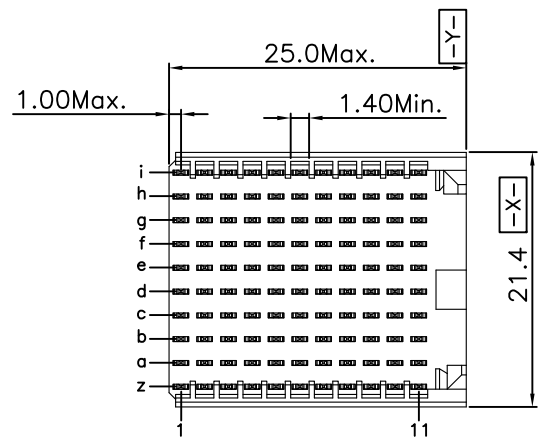


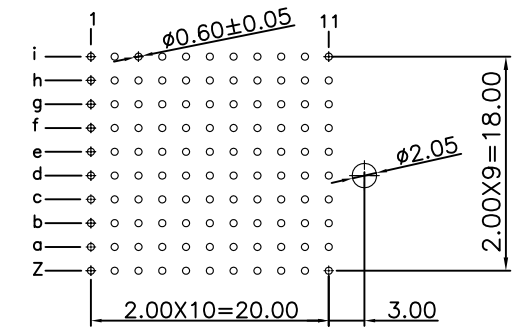
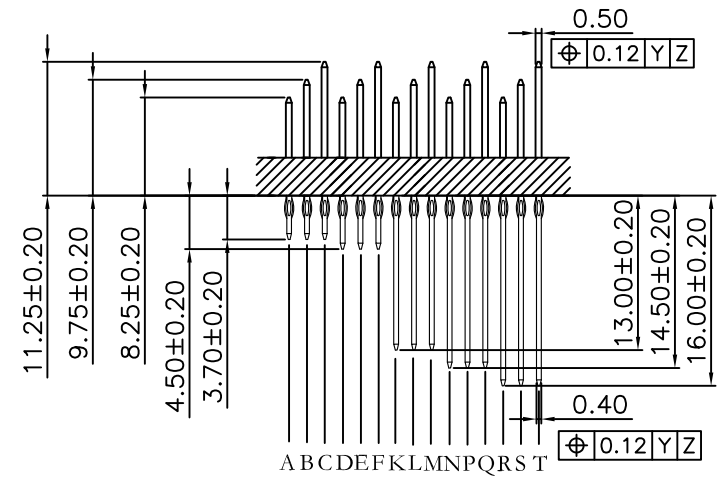
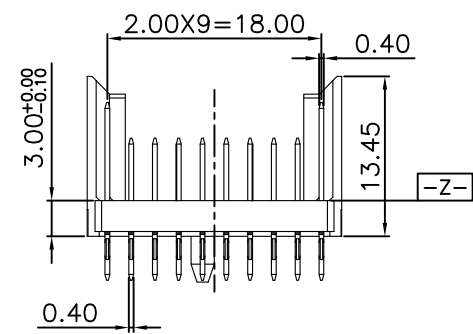
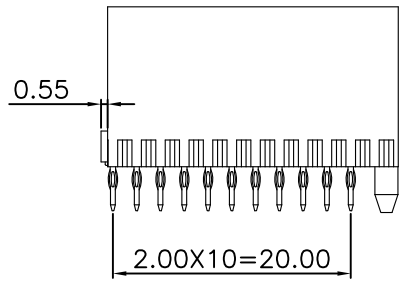
REV.	SPECIFICATION	ECN NO.	APPD.
R4		ECN121232	



Material:
Housing: Thermoplastic Polyester Glass Filled UL94V-0.
Contacts: Copper Alloy.

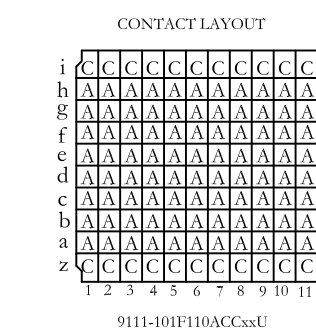
Electrical Characteristics:
Current Rating: 1 AMP.
Dielectric Withstanding Voltage: AC 750V For 1 minute.
Insulator Resistance: 10000MΩ min.at DC 500V.
Contact Resistance: 20mΩ max.at DC 100mA.
Operating Temperature: -55°C ~ +125°C.

***RoHS Compliant**



P.C. Board Layout
(Top View)

9111- 10 1 F 110 A C Cxx U
Series: 10Row- U: Tube Package
1: Male
F: Type F
Housing Type
Signal Pin(a~h Row)
A: A Contact
Shield Pin(i,z Row)
C:C Contact
Blank:Without
Shield Pin
Cxx: Dip Tin Contact Gold
10: 10u"
30: 30u"
CB30: Dip Tin
Contact Au+Pd/Ni
30: 30u"



Tolerances	Dwg. No.	9111-D0000-004	Title:		9111 Series Hard Metric Connector Male Type F	 OUPIN ELECTRONIC(KUNSHAN) CO., LTD. P/N: 9111-101F110ACCxxU SHEET 1/1 Ver.No. R4
x = ±0.50	Projection					
.x = ±0.25	Unit	mm	Scale	1:1		
.xx = ±0.15	Drawn By	CQ 12/14'12				