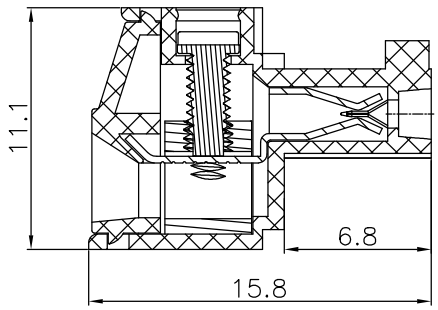
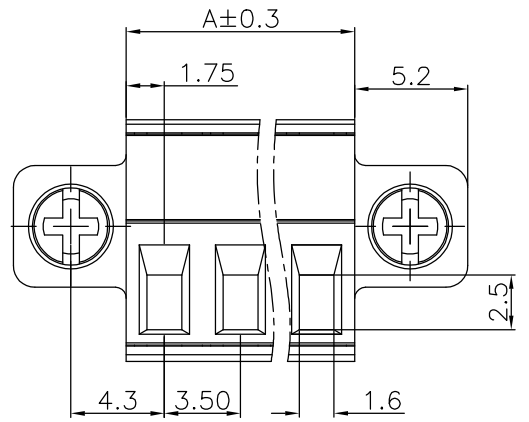
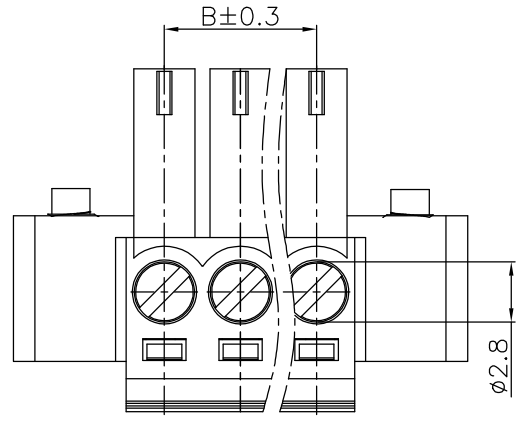


REV.	SPECIFICATION	ECN NO.	APPD.



Series 8933- C 111158 G AA CA xx A  
 C: Pitch 3.5mm  
 Manufacturing Code  
 G: Green  
 B: Black  
 Y: Grey  
 U: Blue  
 B: Bulk Package for 02~04Pos  
 A: Tray Package for 05~24Pos  
 No. of Position  
 CA: With Flange  
 AA: Slotted "-" Screw

**Material:**

Housing: PA66, UL94V-0.  
 Female Contact: Phosphor Bronze, Tin Plated.  
 Clamp: Brass, Ni Plated.  
 Screw: Steel, Zinc Plated, M2.  
 Flange Screw: Steel, Zinc Plated, M2.5

**Electrical Characteristics:**

Voltage Rating: 300V.  
 Current Rating: 10A.  
 Solid Wire(AWG): 16~28.  
 Stranded Wire(AWG): 16~28.  
 Torque: 3Lb-In.  
 Wire Strip Length: 6-7mm.  
 Withstanding Voltage: 1.6KV.  
 Operating Temperature: -40°C ~+115°C.

**\*RoHS Compliant**

Positions	Dimension	
	A	B
02	7.00	3.50
03	10.50	7.00
04	14.00	10.50
05	17.50	14.00
06	21.00	17.50
07	24.50	21.00
08	28.00	24.50
09	31.50	28.00
10	35.00	31.50
11	38.50	35.00
12	42.00	38.50
13	45.50	42.00
14	49.00	45.50
15	52.50	49.00
16	56.00	52.50
17	59.50	56.00
18	63.00	59.50
19	66.50	63.00
20	70.00	66.50
21	73.50	70.00
22	77.00	73.50
23	80.50	77.00
24	84.00	80.50

Tolerances	Dwg. No.	8933D02009	Title:		<b>8933 Series</b> 3.5mm Terminal Block (8300-xxFTR11-03)	 <b>DUPIN ELECTRONIC(KUNSHAN) CO., LTD.</b> P/N: 8933-C111158GAACxxA
x = ±0.5	Projection			SHEET 1/1 Ver.No. A3		
.x = ±0.30	Unit mm	Scale	1:1			
.xx = ±0.15	Drawn By	Martin	03/30'23			