

REV.	SPECIFICATION	ECN NO.	APPD.
R5		ECN200946	

Material and Plating:

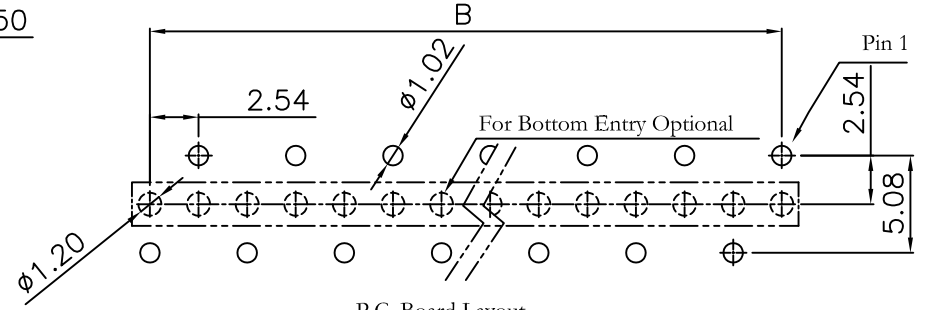
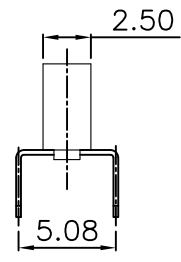
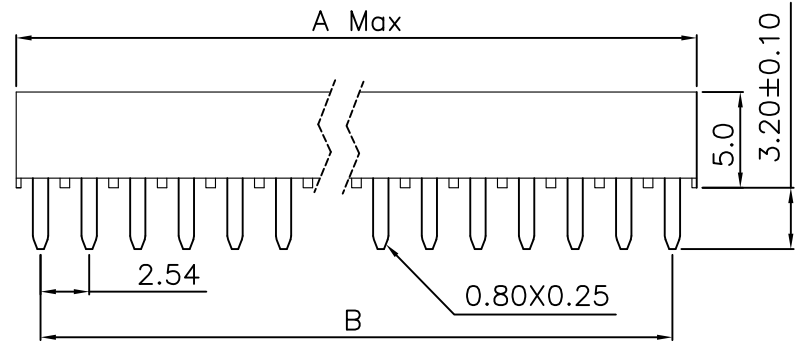
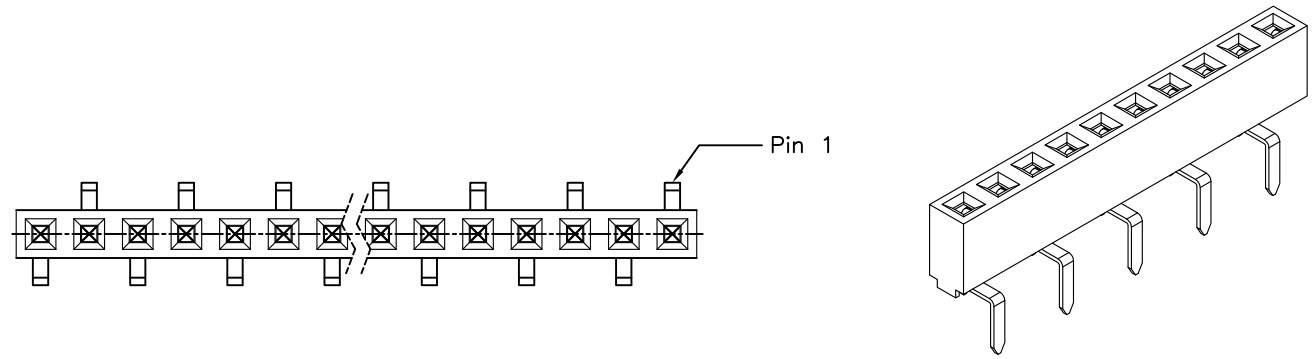
Housing: PBT,UL94V-0,Black.
 Contacts: Phosphor Bronze.
 Gold Plated or 80u" Min Tin Plated on Contact Area and Gold Flash or 80u" Min Tin Plated on solid tail over Nickel 50u"Min.

Electrical Characteristics:

Current Rating: 2 AMP.
 Dielectric Withstanding Voltage: AC 1000V For 1 minute.
 Insulator Resistance: 1000MΩ min. at DC 500V.
 Contact Resistance: 20mΩ max. at DC 100mA.
 Operating Temperature: -55°C~+105°C .

***RoHS Compliant**

Insertion Depth: 2.55mm to 4.50mm.
 Bottom Entry Insertion Depth: 4.55mm min.
 (Excluding PCB Thickness).



P.C. Board Layout
 (Tolerance: ±0.05mm)

2048- 1 X xx G xx A U
 Series Single Row No. of Pin Per Row G: Gold Plated T: Tin Plated
 U: Tube Package A: Type A
 00: G/F 10: 10u" 15: 15u" 30: 30u"

Position	2 Thru 40
Dimension	
A	2.54 X No. of Positions
B	2.54 X No. of Positions -2.54

Tolerances	Dwg. No.	2048-D0000-001
x = ±0.5	Projection	
.x = ±0.25	Unit	mm
.xx = ±0.15	Scale	1:1
	Drawn By	WQ 09/17'20

Title: 2048 Series
 P.C.B. Socket 2.54mm(0.100")

OUPIN
OUPIN ELECTRONIC(KUNSHAN) CO., LTD.
 P/N: 2048-1XxxGxxAU
 SHEET 1/1 Ver. No. R5