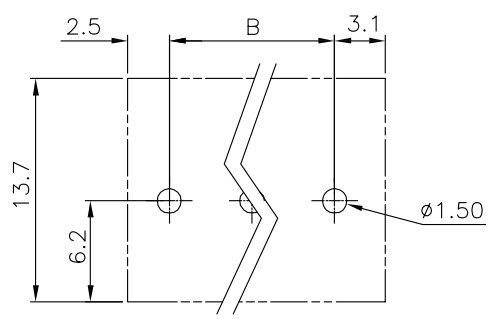
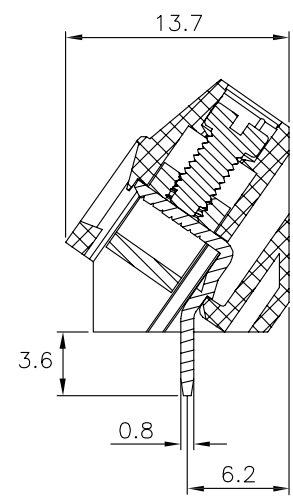
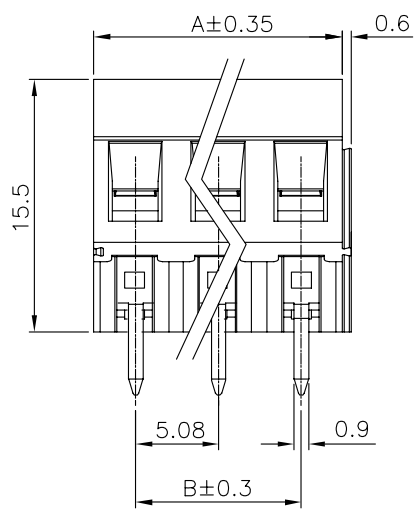
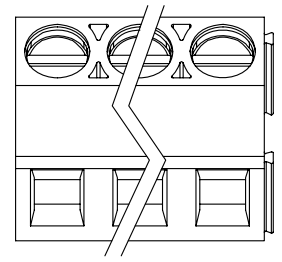


REV.	SPECIFICATION	ECN NO.	APPD.



P.C. Board Layout

Material:

Housing: Thermoplastic Polyester UL94V-0.
Solder Pin: Copper Alloy, Tin Plated.
Clamp: Copper Alloy, Ni Plated.
Screw: Metal, Zinc Plated, M2.5.

Electrical Characteristics:

Voltage Rating: 300V
Current Rating: 10A
Solid Wire(AWG): 12-24
Stranded Wire(AWG): 12-24
Torque(LB-In): 3.5
Wire Strip Length: 6-7mm
Withstanding Voltage: 1.6KV
Operating Temperature: -30°C~+105°C

***RoHS Compliant**

8932- G 137155 G AA xx S B
 Series G:Pitch Manufacturing G:Green AA:Slotted No. of S:S: Straight B: Bulk Package for 2~4Pos.
 5.08mm Code B:Black "-" Screw Positions Box Package for 5~24Pos.
 Y:Grey
 U:Blue

Position	2 Thru 24
Dimension	
A	No. of Positions*5.08
B	(No. of Positions-1)*5.08

Tolerances	Dwg. No.	8932D02005
x = ±0.5	Projection	
.x = ±0.30	Unit	mm
.xx = ±0.15	Scale	1:1
	Drawn By	Peggy09/21'12

Title:
 8932 Series
 5.08mm Terminal Block
 (8800-xxTS11-06)

OUPIN
OUPIN ELECTRONIC(KUNSHAN) CO., LTD.
P/N: 8932-G137155GAxxSB

SHEET	1/1	Ver.No.	A3
-------	-----	---------	----

① 780